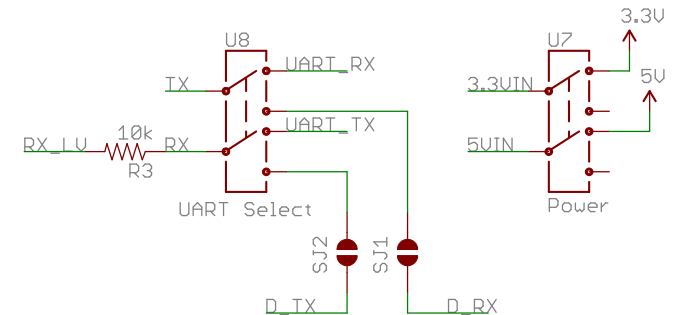
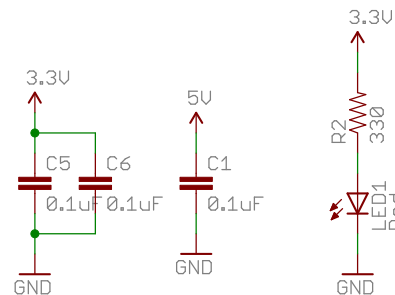
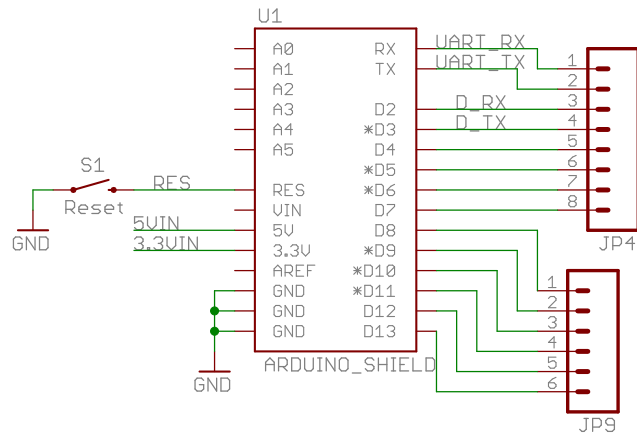


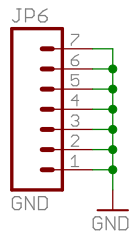
GPS Connectors

Unused GPS Pins



Arduino

Prototyping GND



Switches



Released under the Creative Commons Attribution Share-Alike 3.0 License
<http://creativecommons.org/licenses/by-sa/3.0>
 Design by: Aaron Weiss

EM406	
EM408 GPS	
TITLE: GPSShield-v16	SFE
Document Number:	REV:
Date: 5/17/2011 12:03:28 PM	Sheet: 1/1