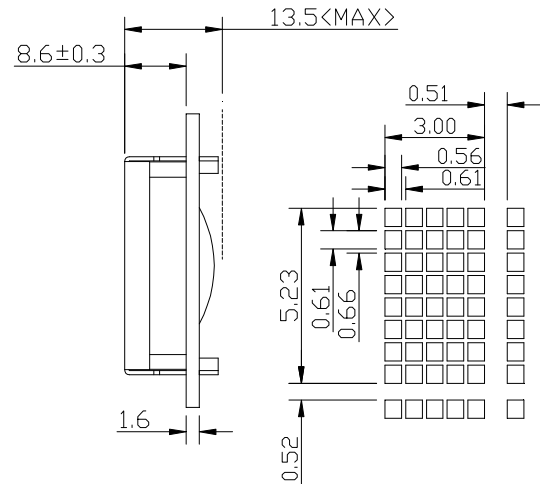
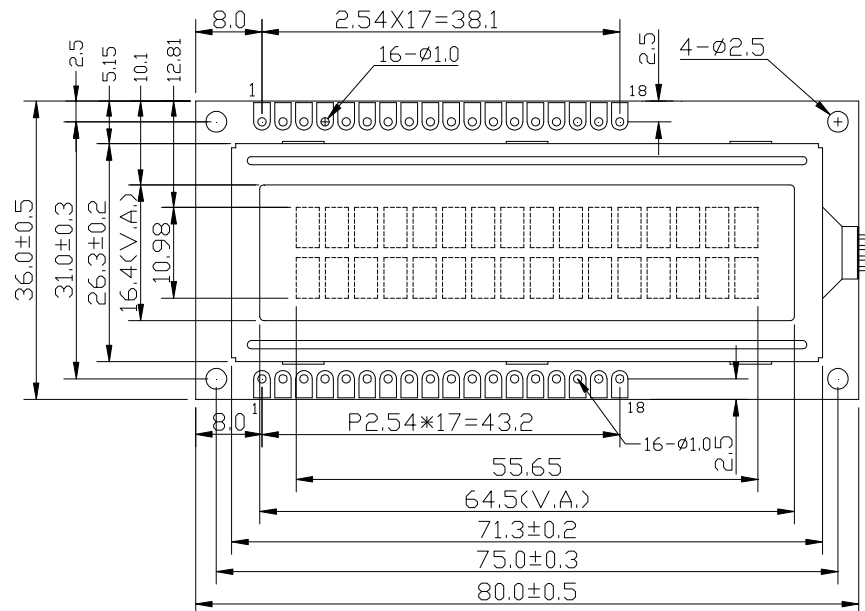


REV	DESCRIPTION:	DATE
1.0	First	



PIN ASSIGNMENT

1	VSS
2	VDD
3	V0
4	RS
5	RW
6	E
7	DB0
8	DB1
9	DB2
10	DB3
11	DB4
12	DB5
13	DB6
14	DB7
15	K
16	A-RED
17	A-GREEN
18	A-BLUE

Notes:

- 1). Driver Method: 1/16duty, 1/5bias, VDD5.0V VLCD4.5V
- 2). Display Type: FSTN/Positive/Transflective/6:00 Visual Angle
- 3). Operating Temp: -20°C~70°C/Storage Temp: -30°C~80°C
- 4). Backlite Type: Edge/R,G,B
- 5). Dvriar: SPLC780D/4bit or 8bit MPU
- 6). RoHS Compliant

Model Name: ADM1602K1-FS(RGB)-FBW		Xiamen Amotec Display Co.,Ltd	
GENERAL TOL: ± 0.3			
APPROVALS	DATE	DRAWN NO.	SCALE:
DWN:			
CHK:		SIZE: A4	UNIT: mm Page:
APP:			