

C&K AYZ Series Miniature Slide Switches



Features/Benefits

- Two switching positions
- Low profile
- Single & double pole models
- Double & triple throw models

Typical Applications

- Computer peripherals & network products
- Telecommunication products
- Test & measurement equipment

Specifications

MAX. SWITCHING POWER: 1.2 VA
 MAX. SWITCHING VOLTAGE: 12 VDC
 MAX. SWITCHING CURRENT: 100 mA
 MECHANICAL LIFE: 10,000 operations.
 CONTACT RESISTANCE: <math><80\text{m}\Omega</math>
 INSULATION RESISTANCE: >10⁸ Ω
 DIELECTRIC STRENGTH: 0.1 kV at 50 Hz/1 min.
 OPERATING TEMPERATURE: -10°C to +60°C
 PACKAGING: Tape & reel, see page I-48.

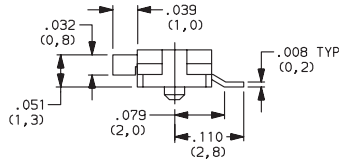
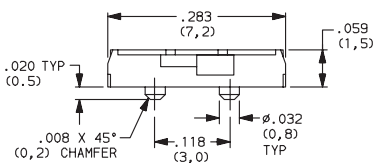
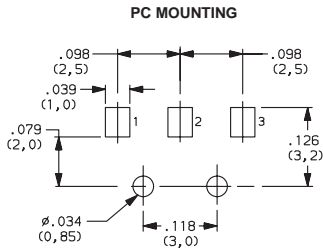
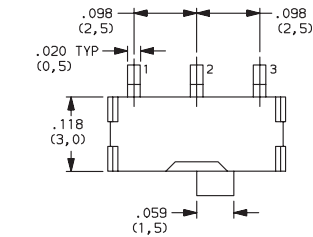
Materials

HOUSING: Glass filled PPS (UL 94V-0).
 ACTUATOR: Glass filled nylon 6/6 (UL 94V-0).
 COVER: Nickel silver.
 MOVABLE CONTACT: Copper alloy, silver plated.
 FIXED CONTACT: Brass, silver plated.
 CONTACT SPRING: Contact bronze.

NOTE: Specifications and materials listed above are for switches with standard options. For information on specific and custom switches, consult Customer Service Center.

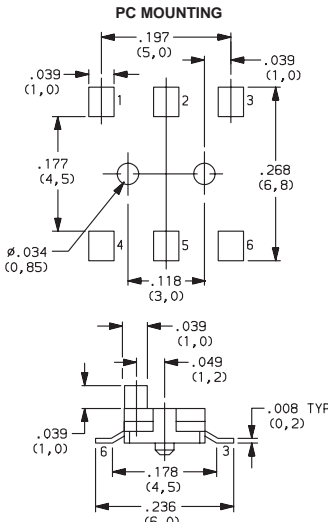
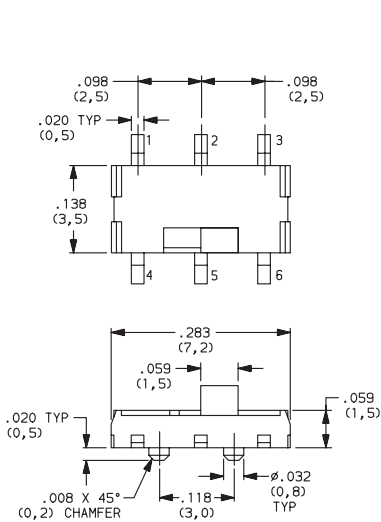
How To Order

Complete part numbers for AYZ Series Miniature Slide Switches are shown on pages I-46 and I-47.

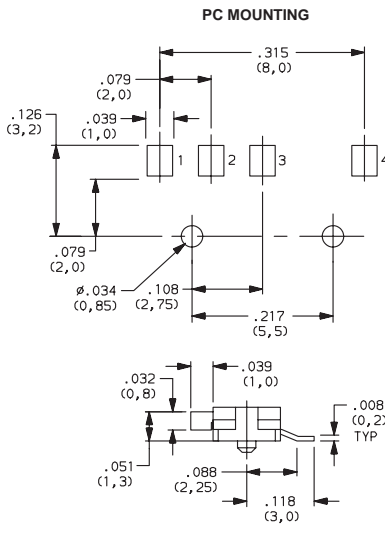
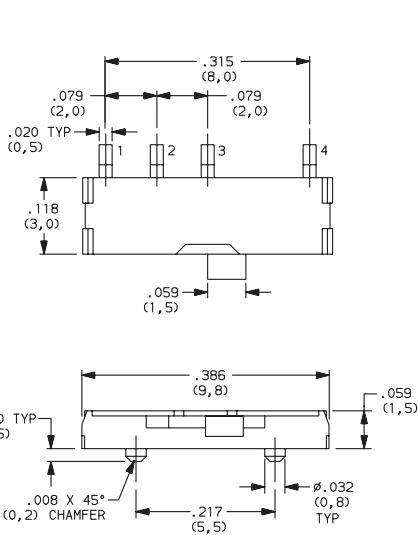


PART NUMBER	SWITCH FUNCTION	
	POS. 1	POS. 2
AYZ0102AGRL	ON	ON
CONN. TERMINALS	2-3	2-1
SCHEMATIC		
SPDT		

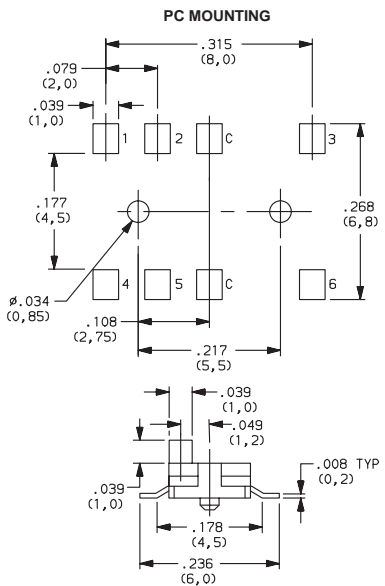
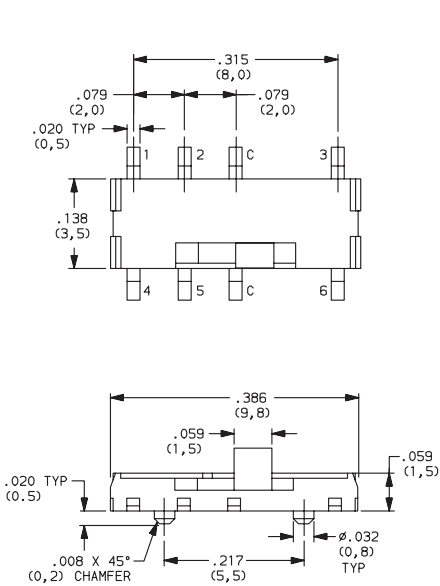
C&K AYZ Series Miniature Slide Switches



PART NUMBER	SWITCH FUNCTION	
	POS. 1	POS. 2
AYZ0202AGRL	ON	ON
CONN. TERMINALS	2-3,5-6	2-1,5-4
SCHEMATIC		
DPDT		



PART NUMBER	SWITCH FUNCTION		
	POS. 1	POS. 2	POS. 3
AYZ103AGRL	ON	ON	ON
CONN. TERMINALS	3-4	2-3	1-2
SCHEMATIC			
SP3T			



PART NUMBER	SWITCH FUNCTION		
	POS. 1	POS. 2	POS. 3
AYZ203AGRL	ON	ON	ON
CONN. TERMINALS	3-C,6-C	2-C,5-C	1-C,4-C
SCHEMATIC			
DP3T			

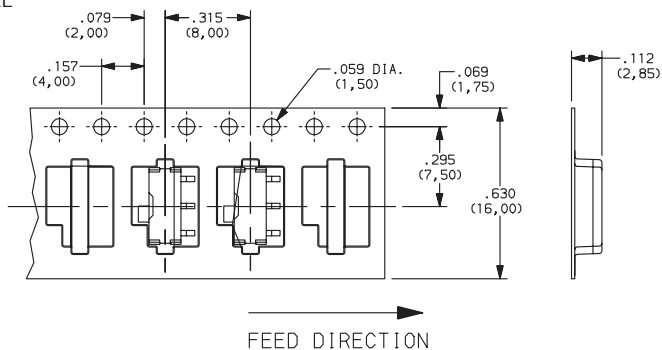


Third Angle Projection
Dimensions are shown: IN (mm)
Dimensions subject to change

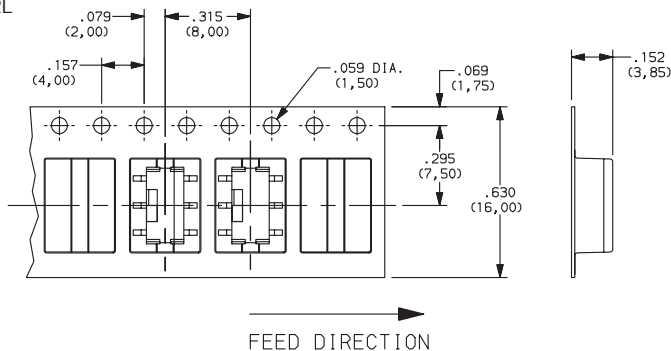
C&K AYZ Series Miniature Slide Switches

TAPE & REEL

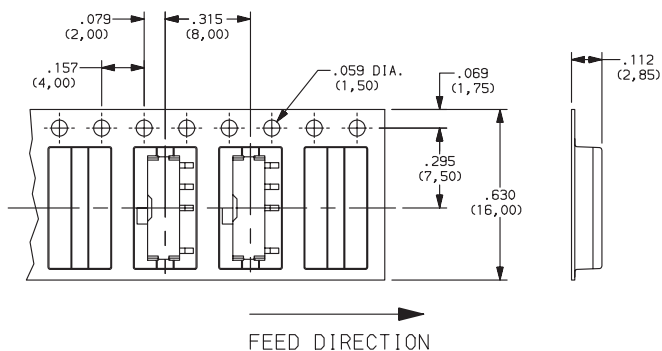
For part numbers AYZ0102AGRL



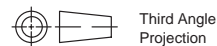
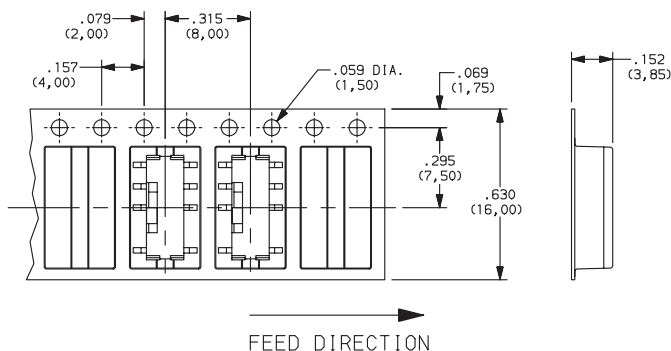
For part numbers AYZ0103AGRL



For part numbers AYZ0202AGRL



For part numbers AYZ0203AGRL



Third Angle
Projection

Dimensions are shown: IN (mm)
Dimensions subject to change