

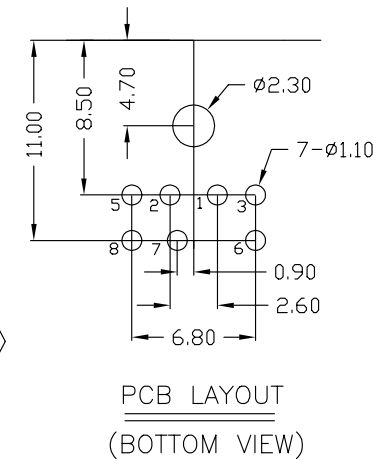
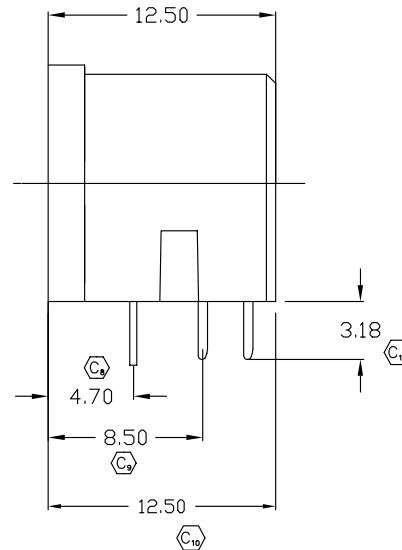
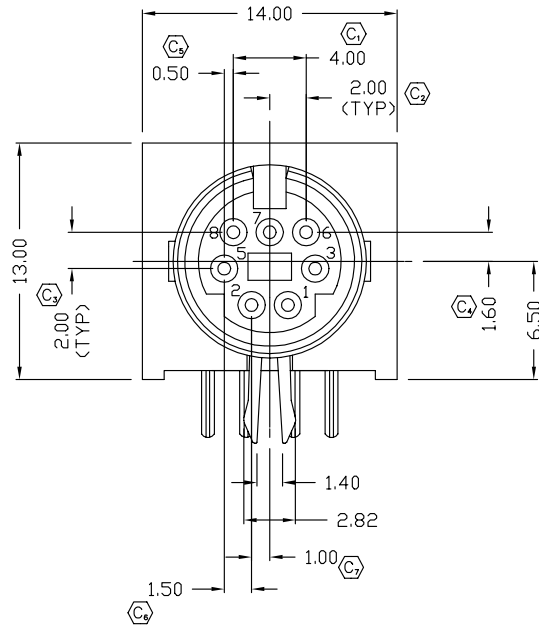
REVISION A

MDN-S-07-X

NO. OF PORTS ————
 -S: Single

CONTACTS PER PORT ————
 -07

PLATING
 -F: FLASH



DO NOT SCALE
 FROM THIS PRINT

NOTES:

1. Ⓢ REPRESENTS CRITICAL DIMENSION.
2. GOLD PLATING TO BE ON MATING AREAS

UNLESS OTHERWISE SPECIFIED,
 DIMENSIONS ARE IN MM.
 TOLERANCES ARE:
 DECIMALS ANGLES
 X.: ±0.5 ±3°
 X.X: ±0.3
 X.XX: ±0.15

PROPRIETARY NOTE
 THIS DOCUMENT CONTAINS INFORMATION
 CONFIDENTIAL AND PROPRIETARY TO
 SAMTEC INC. AND SHALL NOT BE
 REPRODUCED OR TRANSFERRED TO
 OTHER DOCUMENTS OR DISCLOSED TO
 OTHERS OR USED FOR ANY PURPOSE
 OTHER THAN THAT FOR WHICH IT WAS
 OBTAINED WITHOUT THE EXPRESSED
 WRITTEN CONSENT OF SAMTEC INC.



520 PARK EAST BLVD. NEW ALBANY, IN 47150
 (812) 944-6733 P.O. BOX 1147 TWX: 810-540-4085

CODE: 551322

DO NOT SCALE DRAWING SHEET SCALE: 1:2
MATERIAL:
 BOARD LOCK: BRASS; TIN PLATED
 TERMINAL: PHOS BRONZE; FLASH GOLD PLATED
 BODY: PBT (RATED UL 94V-0); BLACK
 CAP: PBT (RATED UL 94V-0); BLACK
 F:DWG\MISC\MKTG

DESCRIPTION:
 MINI DIN JACK
 DWG. NO.
 MDN-S-07-X
 BY: J. Riley 12/29/03 SHEET 1 OF 1