

深圳市昱申科技有限公司
CHINA YOUNG SUN LED TECHNOLOGY CO., LTD.

TEL: (86) 755-28079401 28079402 28079403 28079404 28079405
FAX: (86) 755-28079407 E-mail: info@100LED.com Web: www.100LED.com

Model No.: YSD-439AY2B-35

Applications:

- ▣ Moving Message Display
- ▣ Full Color Display
- ▣ Banking Board
- ▣ Score Boards
- ▣ Digital Display

LED Chip Absolute Maximum Ratings: (Ta=25°C)

Parameter	Symbol	Red	Unit
Forward current	I _F	20	mA
Peak forward current (Duty Cycle=1/10, 10KHz)	I _{PF}	30	mA
Reverse voltage (V _R =5V)	I _R	10	μA
Operating temp	T _{OPR}	-25 - 85	°C
Storage temp	T _{STG}	-30 - 85	°C
Peak Emission Wavelength	λ _{PH}	590	nm

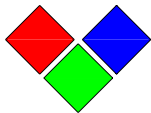
* Soldering Bath: not more than 5 seconds @260 °C. The bottom ends of the plastic reflector should be at least 2mm above the solder surface

Soldering Iron: not more than 3 seconds @300 °C under 30W

LED Chip Typical Electrical & Optical Characteristics: (Ta=25°C)

ITEMS	Symbol	Condition	Min.	Typ.	Max.	Unit
Forward Voltage	V _F	I _F =20mA	2.0	2.1	2.2	V
Luminous Intensity	I _V	I _F =20mA	50	55	60	mcd
Wavelength	Δ λ	I _F =20mA	588	590	592	nm
Light Degradation after 1000 hours			-4.68% ~ -8.27%			

Address: 5/F, Building B, Anzhilong Indl., Qinghua East Road., Longhua Town, Shenzhen CHINA. 518109



深圳市昱申科技有限公司

CHINA YOUNG SUN LED TECHNOLOGY CO., LTD.

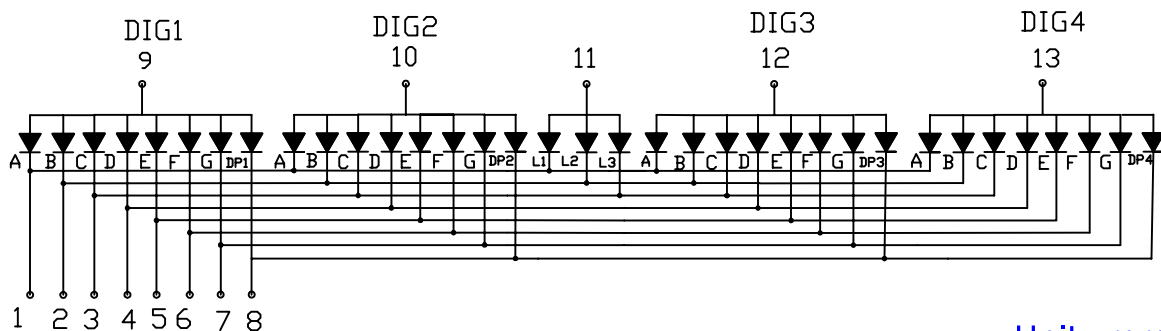
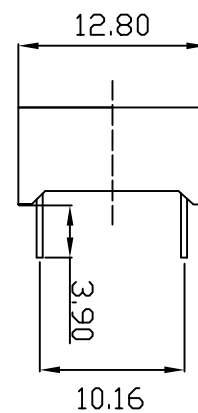
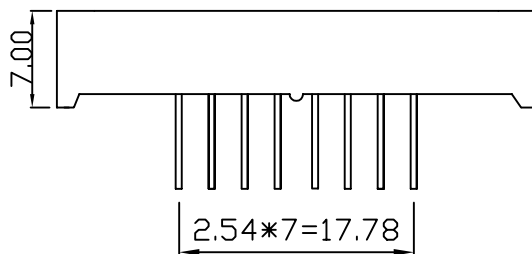
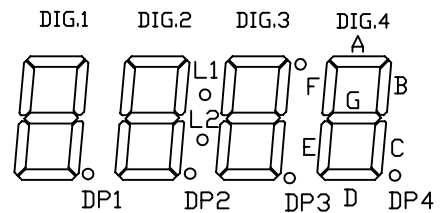
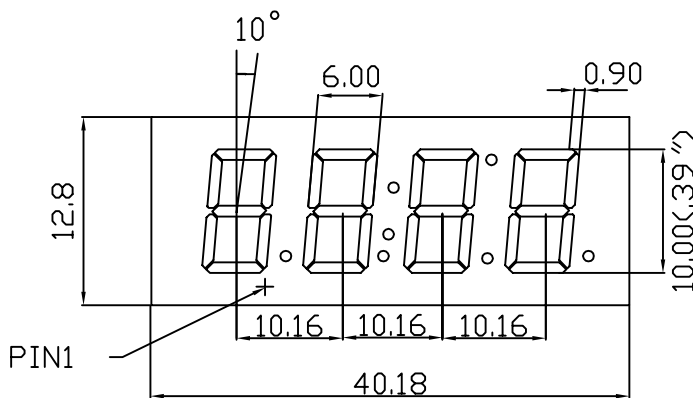
TEL: (86) 755-28079401 28079402 28079403 28079404 28079405

FAX: (86) 755-28079407 E-mail: info@100LED.com Web: www.100LED.com

Mechanical Dimensions:

☐ All dimension are in mm, tolerance is $\pm 0.2\text{mm}$ unless otherwise noted

☐ An epoxy meniscus may extend about 1.5mm down the leads.



Unit: mm