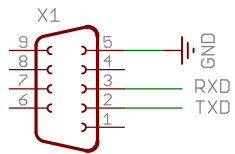


Version History:

- 1.0: Initial version
- 1.1: Added C10
- 1.2: Input Variant 'b' now BC547 based
Input Variant 'b' pullup now 4k7 (was 470R)
X1 is now female! (as befits a DCE)
- 1.3: Added optional J7 + R6
- 1.4: Added Transmit functionality.

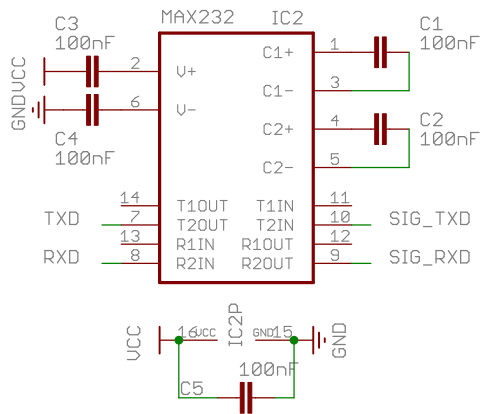
Optional RS232 interface



Notes:
 SIG_RXD/SIG_TXD is a TTL level serial signal
 RXD/TXD is an RS232 signal (possibly up to +/- 15v)
 TX/RX naming is relative to this device. RX is input. TX is output.
 TX functionality is optional
 M88, M168 and M328p are alternatives for IC1

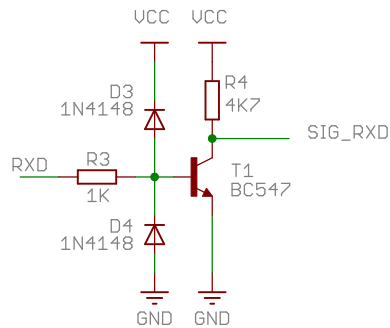
Translation options between RS232 and TTL

translation variant 'a' (TX + RX)

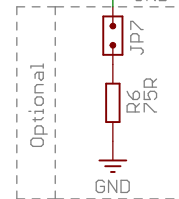


translation variant 'b' (RX only)

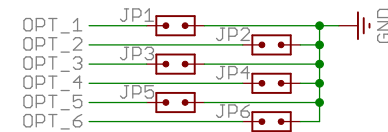
This configuration tested up to 115k2 baud



Alt: T1=2N3904, D3/D4=1N4007 should work.
 see Microcarl's My_LCD project at AVRfreaks



Option Jumpers



Batsocks

Range: Other
 Product: TellyMate

Author: Nigel Batten

Date: 20/06/2009

Version: 1.4