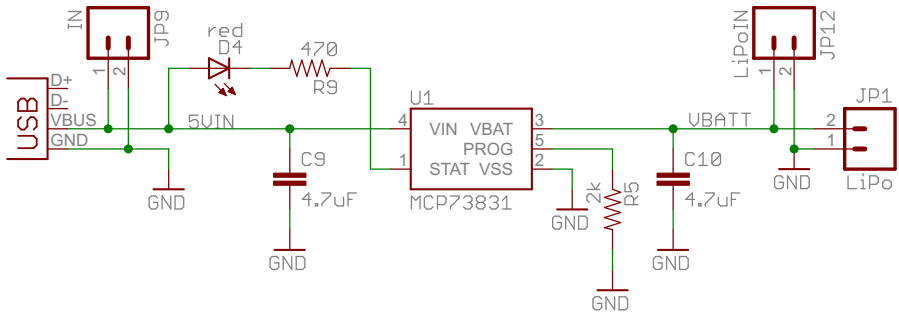


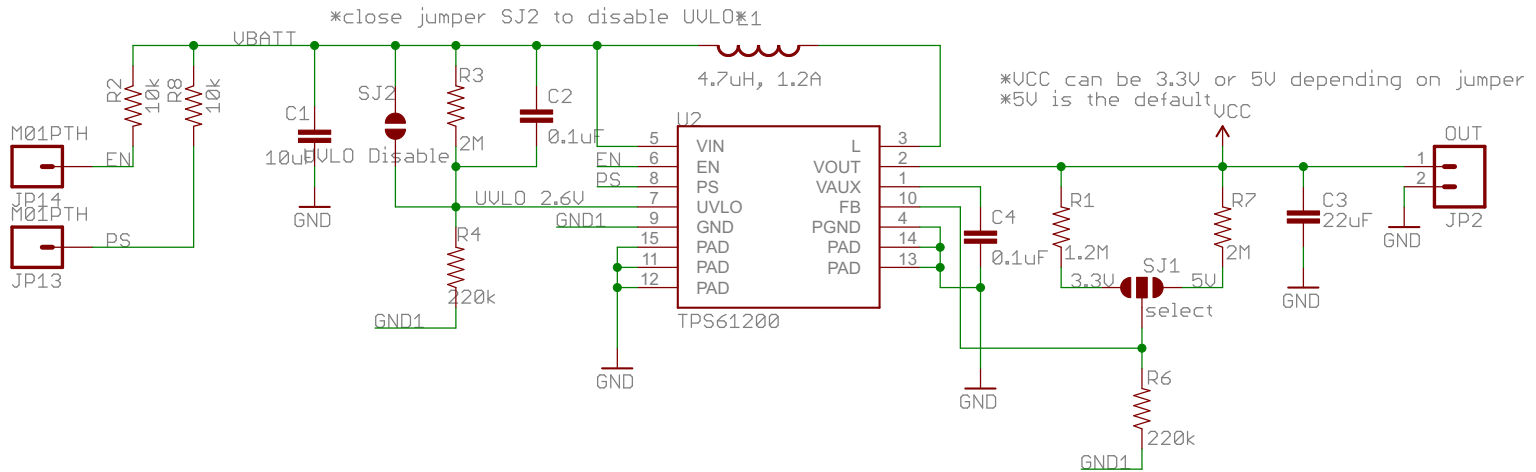
LiPo Charger



Revision Notes

- Changes to v13 (date:4/3/12)
- added breakout pins for PS and EN
- Route traces on IC directly away from pads to prevent uneven reflow
- move vias under IC so they're not as close to side ground pads
- added jumper to disable UVLO

Switching Regulator



Released under the Creative Commons Attribution Share-Alike 3.0 License
<http://creativecommons.org/licenses/by-sa/3.0>
 Design by: A.Weiss

Special Thanks to Oleg at Circuits at Home for the TPS61200 design



open hardware



SFE SFE

TITLE: PowerCell-v13

Document Number:

REV:

Date: not saved!

Sheet: 1/1