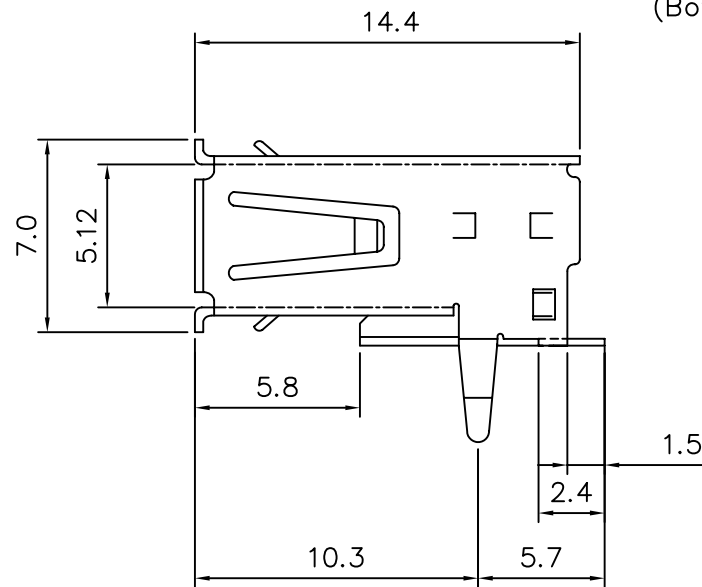
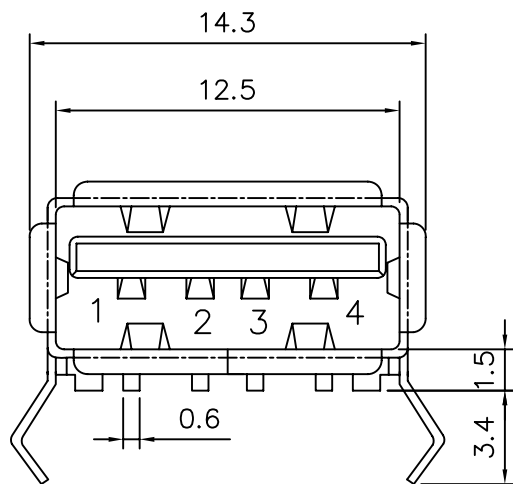
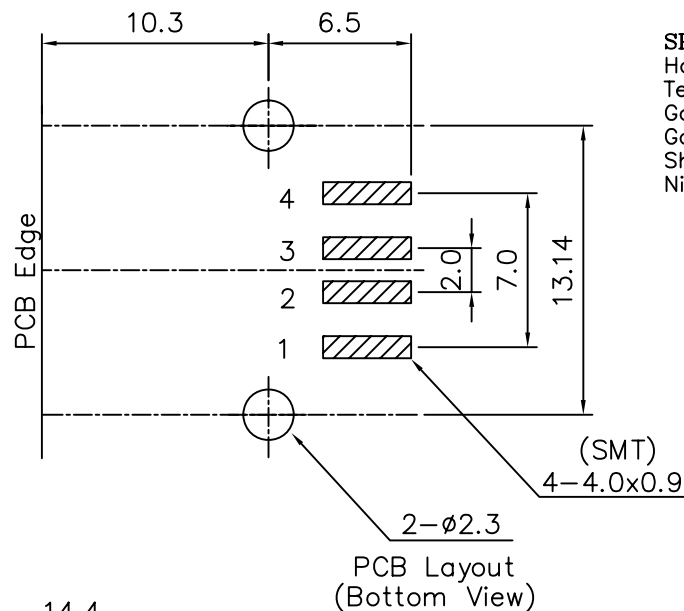


SPECIFICATIONS

Housing: Nylon PA9T, G.F. White
 Terminal: Phosphor Bronze $t=0.25\text{mm}$
 Gold Or Tin Plated (Ni: 1.5u, Tin: 3u"
 Gold : 1~3u")
 Shell: Brass, $t=0.3\text{mm}$
 Nickel Plated, Ni: 2~3u



4UCON 元化興業股份有限公司
 4UCON TECHNOLOGY INC.

DRAWING No.

18666

APPROVED BY

MEI

CHECKED BY

RAN

DRAWING BY

HZF

UNLESS OTHERWISE SPECIFIED

TOLERANCES ARE

.X ± 0.30

.XX ± 0.25

ANG.

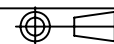
SCALE

NONE

REV.

A0

UNIT
mm



NO. REV.

A0 NEW RELEASE

REVISIONS

CHK

DATE