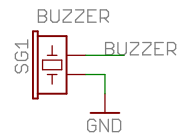
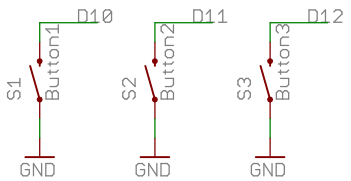
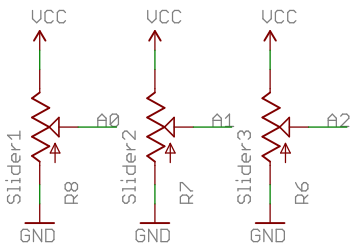
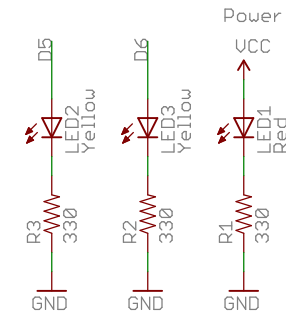
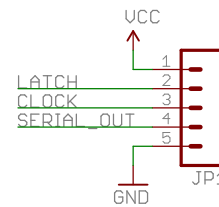
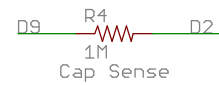
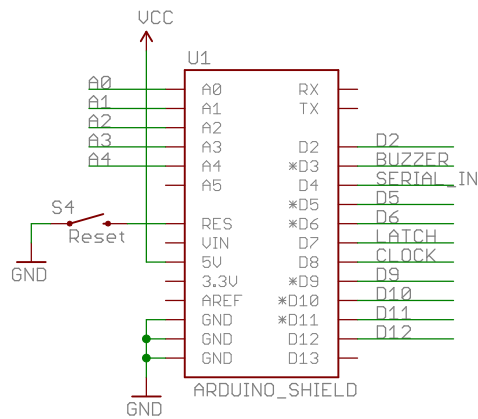
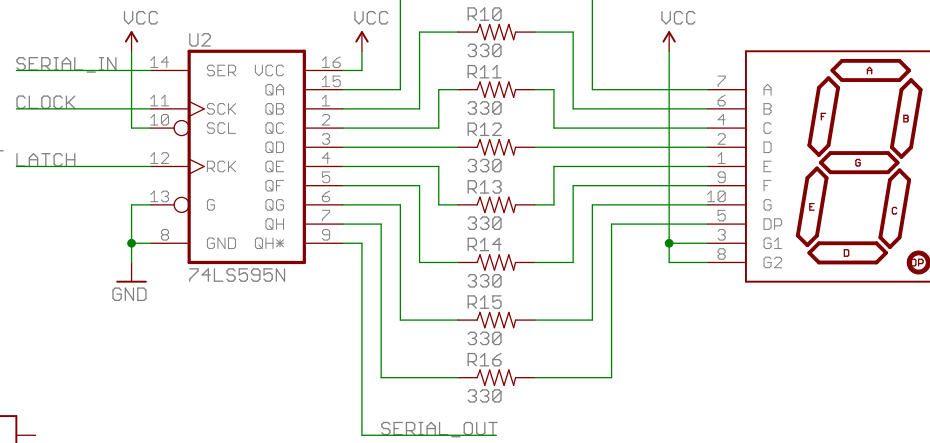
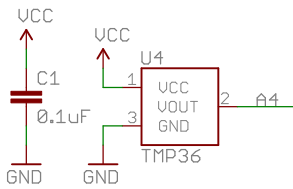
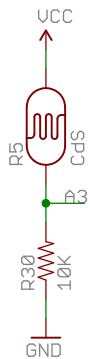


Light Sensor



Released under the Creative Commons Attribution Share-Alike 3.0 License
<http://creativecommons.org/licenses/by-sa/3.0>
 Design by: Chris Taylor
 Original design: Zach Hoeken



open hardware

TITLE: Danger_Shield-v17			SFE	SFE	SFE
Document Number:				REV:	
Date: 3/7/2013 8:00:48 AM				Sheet: 1/1	