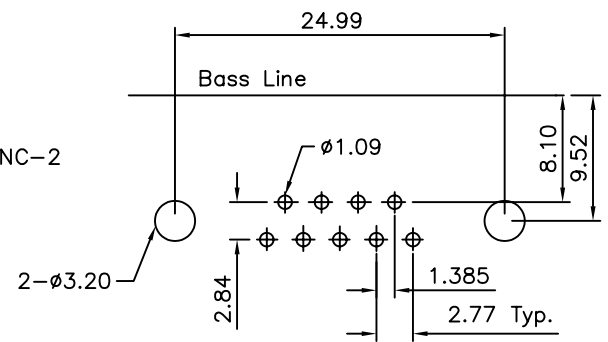
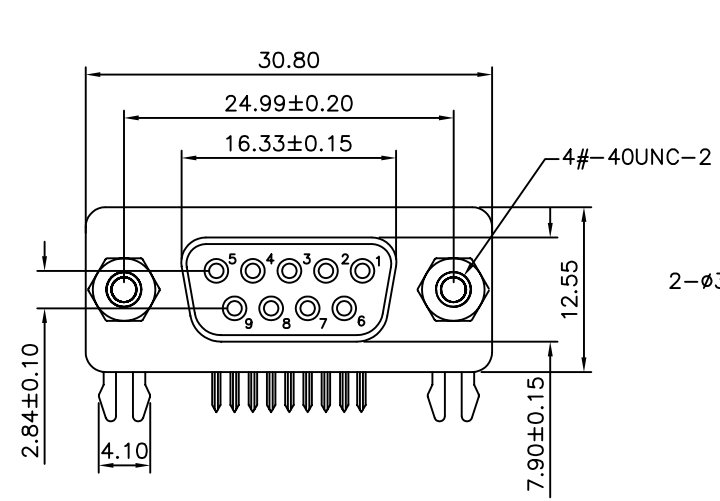
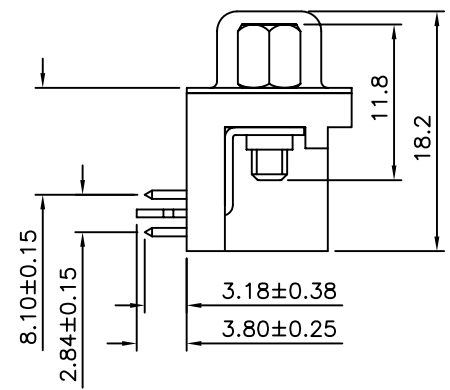
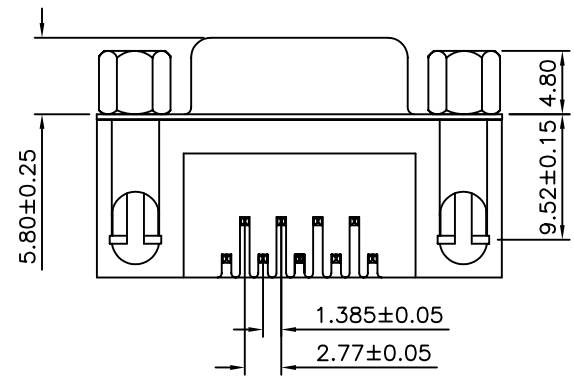


**SPECIFICATIONS**

Current Rating: 5 Amp  
 Dielectric Strength: 1000V Per Minute  
 Insulation Resistance: 5000 Megohms Min.  
 At 500V DC  
 Operating Temperature: -55°C To +105°C  
 Insulator: PBT+30% Glass Fiber, UL 94V-0, Black  
 Contact: Brass, Gold/Tin Plated  
 Shell: Steel, Nickel Plated



P.C.B. Layout



**4UCON** 元化興業股份有限公司  
 4UCON TECHNOLOGY INC.

DRAWING No.  
 09956

APPROVED BY MEI  
 CHECKED BY BECKY  
 DRAWING BY HZF

UNLESS OTHERWISE SPECIFIED TOLERANCES ARE  
 .X ±0.5  
 .XX ±0.30  
 ANG. ±2°

SCALE NONE

REV. A0

UNIT mm

NO.	REV.	REVISIONS	CHK	DATE
△ A0		NEW RELEASE	BECKY	01/06/2004