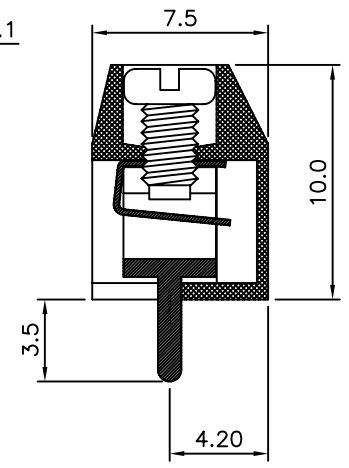
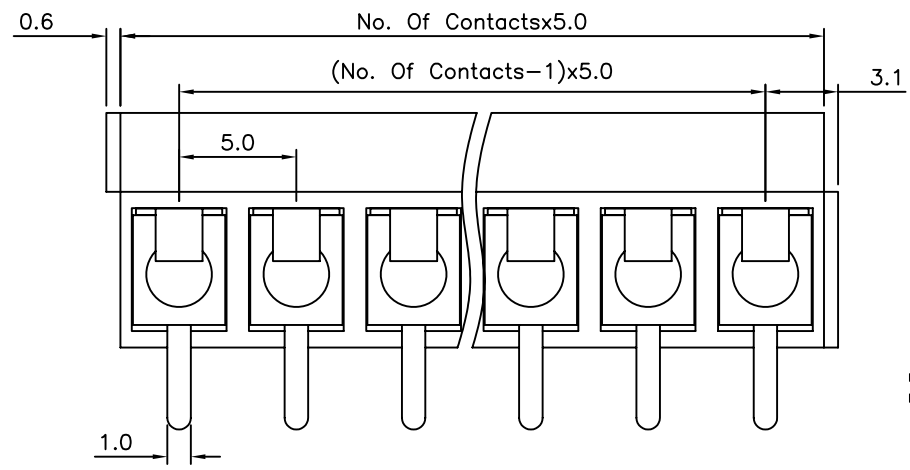
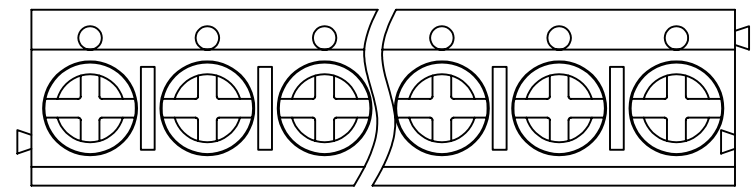
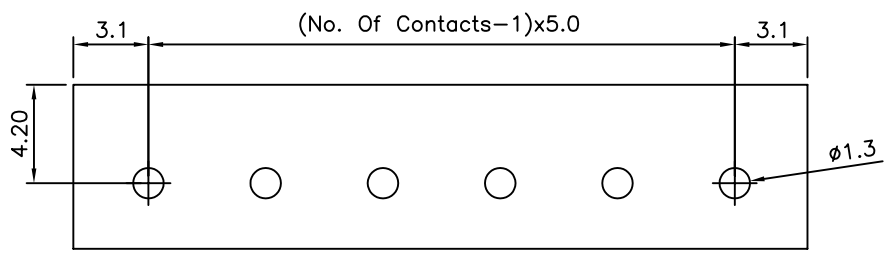


SPECIFICATIONS

Voltage Rating: 300VAC
 Current Rating: 8 Amps/Way Max
 Insulation Resistance: 5000 Megohms/1000V
 Withstanding Voltage: 1500VAC(1min) Test Time=60sec/1pcs
 Wire Range: 14-26AWG
 Torque: 4kgf.cm/M2.5
 Operating Temperature: -30°C To +105°C
 Soldering Reliability:
 Test Temperature=250°C±10°C/5 Seconds Max
 Contact(Metal Housing): Brass Stamping
 Terminal Screw: Steel Galvanized And Chromated
 Wire Guard: Copper Alloy
 Surface Of Solder Tail: Tin Plated
 Insulator Body(Housing): Polyamide(Glass Filled)(UL94V-0)



4UCON 元化興業股份有限公司
 4UCON TECHNOLOGY INC.

DRAWING No.		APPROVED BY		UNLESS OTHERWISE SPECIFIED TOLERANCES ARE X. ±0.50 .X ±0.30 .XX ±0.20 ANG. ±1°
05345		MEI		
		CHECKED BY		
		HZF		
		DRAWING BY		
		PEGA		
SCALE	NONE	REV.	A1	UNIT
				mm

NO.	REV.	REVISIONS	CHK	DATE
△	A1	Modify Data	SHIN	04/18/2007
△	A0	NEW RELEASE	HZF	10/18/2006