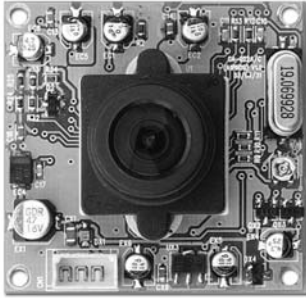
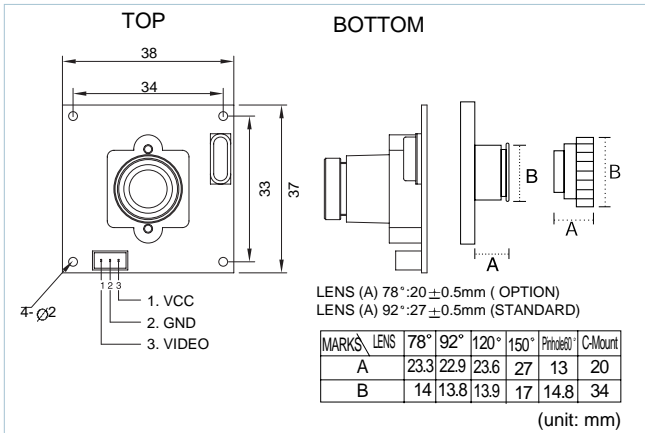


CA-82A/C

CA-82A/C-B92(NORMAL LENS)
CA-82A/C-P60(PIN-HOLE LENS)



Dimensions



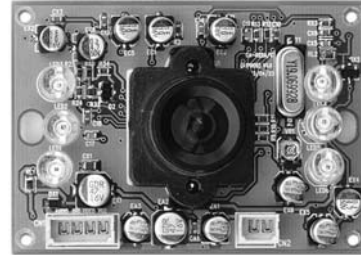
Specifications

	CA-82A	CA-82C
Video signal	EIA	CCIR
Image sensor	1/3inch, 250k pixels	1/3inch, 290k pixels
	B/W Image sensor CCD	B/W Image sensor CCD
Effective pixel	H512 × V492	H500 × V582
Video output	1.0Vp-p.75 Ω Synchronous negative polarity	
Scanning system	525 TV line 2:1 interlace	625 TV line 2:1 interlace
Scanning frequency	(H)15.734 KHz (V)59.94 Hz	(H)15.625 KHz (V)50 Hz
Sync. System	Internal synchronization	
Horizontal resolution	360 TV lines	
Min. Illumination	0.1Lux F 1.4	
S/N ratio	45dB above(When AGC off)	
Gamma(γ)	γ=0.45	
Input voltage	DC 12V ±1V	
Current consumption	Max. 90mA	
Lens	f=4.3 F 2.0 or f=3.6 F 2.0	
Iris control	Automatic adjustment by auto-Iris controller	
Shutter speed	1/60~1/120,000 second	1/50~1/120,000 second
Dimension/Weight	(W)38mm ×(H)37mm ×(D)27mm / 30g	
Ambient Temperature	-10~50 °C	

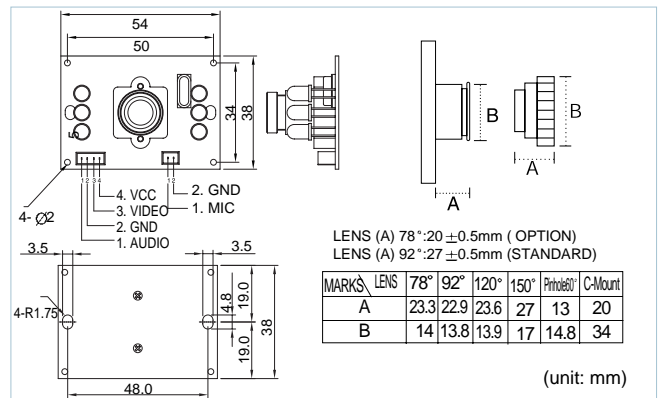
※ Varifocal lens is optional

CA-84A/C

CA-84A/C-B92(NORMAL LENS)
CA-84A/C-P60(PINHOLE LENS)



Dimensions



Specifications

	CA-84A	CA-84C
Video System	EIA	CCIR
Image sensor	1/3inch, 250k pixels	1/3inch, 290k pixels
	B/W Image sensor CCD	B/W Image sensor CCD
Effective pixel	H512 × V492	H500 × V582
Scanning frequency	(H)15.734 KHz (V)59.94 Hz	(H)15.625 KHz (V)50 Hz
Sync. system	Internal synchronization	
Horizontal resolution	360TV lines	
Scanning system	525 TV line 2:1 interlace	625 TV line 2:1 interlace
Video Output	1.0Vp-p.75 Ω Synchronous negative polarity	
Burst Level	0.286Vp-p	
S/N ratio	50dB above(When AGC off)	
STD scene Illumination	1,000Lux F1.4	
Min. Illumination	0.001 Lux F1.4 infrared Led (Built-in 6 IR LED)	
Gamma	γ=0.45	
AGC	+18dB Max.	
Iris control	Automatic adjustment by auto-Iris controller	
Electronic Shutter	1/60~1/120,000 second	1/50~1/120,000 second
Lens	f=4.3 F 2.0 or f=3.6 F 2.0	
Power Supply Voltage	DC12V ±1V	
Current consumption	Max. 150mA	
OperatingTemp	-10 °C~50 °C	
Dimension/Weight	(W)54mm ×(H)38mm ×(D)27mm / 50g	

※ Varifocal lens is optional