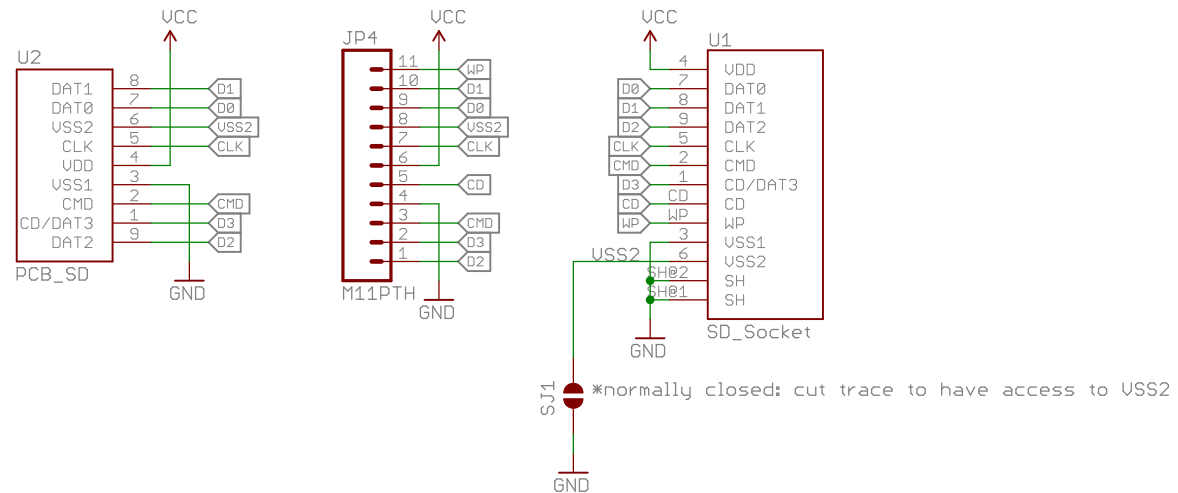


Revision Notes:
 v20: changed to a different SD socket
 v21: broke out more pins



| | |
|--|-------------|
| Released under the Creative Commons Attribution Share-Alike 4.0 License https://creativecommons.org/licenses/by-sa/4.0/ | |
| TITLE: SD_Sniffer | SFE |
| Design by: A Weiss Revised by: Patrick Alberts | REV: v22 |
| Date: 5/27/2014 11:54:36 AM | Sheet: 1/1 |