



## Torwell Wood 3D Printer Filament

**Torwell Metal filament** is mixture metal with a binding polymer.

Metal Filament has the following characteristics:

1. shine and shimmer just like the bronze, copper or aluminium;
2. Good toughness high strength, high stiffness;
3. No block nozzle, good stick hot bed, a smooth PLA use;
4. Low shrinkage, thermoforming dimensional stability;
5. Accurate diameter: 3.0/1.75mm, variations + /-0.03mm, roundness +/-0.02mm;

### Specifications:

Material	Metal
Color	Aluminium, Bronze, Copper
Diameter	1.75mm / 3.00mm
Weight Filament	1kg
Print temperature	190 - 240°C
Compatible with	Makerbot, UP, Cubify, Leapfrog Creatr, Builder, Felix, Reprap, Ultimaker and any other FDM 3D printers
Package	1kg/spool; 8spools/ctn sealed plastic bag with desiccants

**TORWELL TECHNOLOGIES CO., LTD**

Tel: +86-755-89487875 Fax: +86-755-89487876 Email: [info@torwell3d.com](mailto:info@torwell3d.com)

Add: R&D Bld, Hongfa Hi-Tech, Tangtou Rd, Shiyan, Shenzhen, China



**Torwell Technologies Co., Ltd**

TEL: 86-755-89487875 FAX: 86-755-89487876 Website: [www.torwell3d.com](http://www.torwell3d.com)

---

## Filament Show



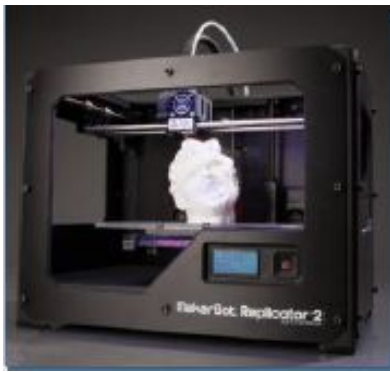
**TORWELL TECHNOLOGIES CO., LTD**

Tel: +86-755-89487875 Fax: +86-755-89487876 Email: [info@torwell3d.com](mailto:info@torwell3d.com)

Add: R&D Bld, Hongfa Hi-Tech, Tangtou Rd, Shiyan, Shenzhen, China



## Application



Makerbot



UP



Cubify



Reprap

Torwell Metal filament suitable for a variety of 3D printer, Makerbot, UP, Cubify, Leapfrog, Reprap, Ultimaker, Mendel, Prusa, Huxley, and any other FDM 3D printer.

## Spool:

**TORWELL TECHNOLOGIES CO., LTD**

Tel: +86-755-89487875 Fax: +86-755-89487876 Email: [info@torwell3d.com](mailto:info@torwell3d.com)

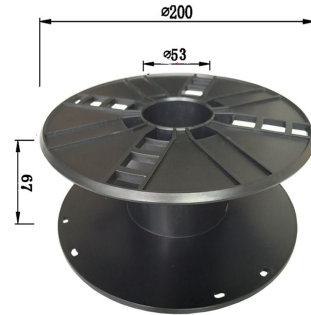
Add: R&D Bld, Hongfa Hi-Tech, Tangtou Rd, Shiyan, Shenzhen, China



# Torwell Technologies Co., Ltd

TEL: 86-755-89487875 FAX: 86-755-89487876 Website: [www.torwell3d.com](http://www.torwell3d.com)

1. Diameter 200mm + inner hub 53mm



Unit: mm

## Package:

Individual box package with vacuum sealed PE bag  
Net weight: 1kg/spool; Gross weight: 1.5kg per box  
8kgs per carton; Carton size: 43.5x43.5x18cm



## Storage:

Metal filament shall be kept in clean, dry and dark place. PLA filament shall avoid direct contact with water.

**TORWELL TECHNOLOGIES CO., LTD**

Tel: +86-755-89487875 Fax: +86-755-89487876 Email: [info@torwell3d.com](mailto:info@torwell3d.com)

Add: R&D Bld, Hongfa Hi-Tech, Tangtou Rd, Shiyan, Shenzhen, China