

1. To get the specified scale, select 100% in print settings.

Scale: 2:1

<http://www.pololu.com/product/2674>

Name: Pololu Aluminum Scooter Wheel Adapter for 6mm Shaft

Item number:
2674

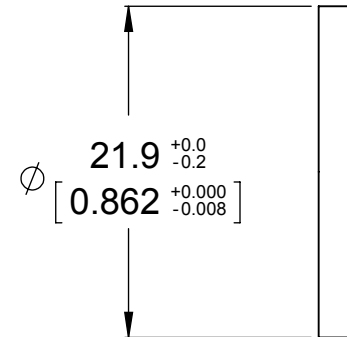
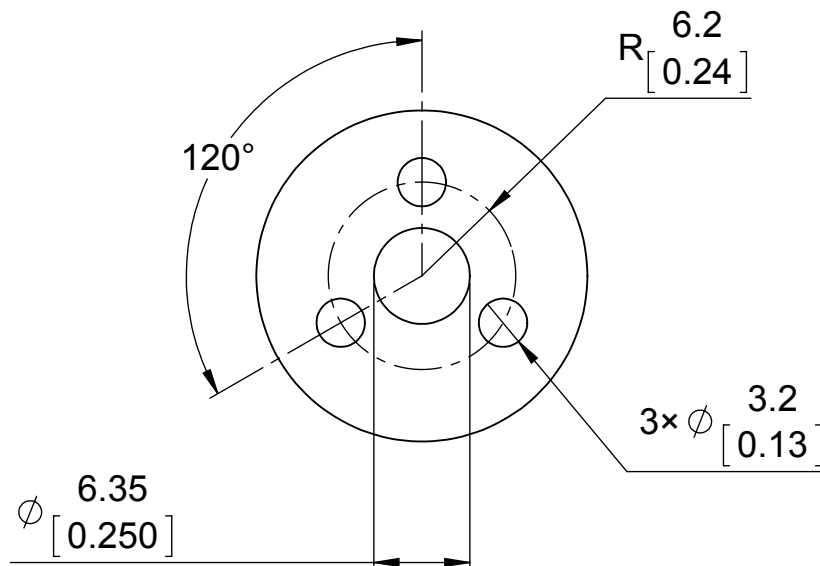
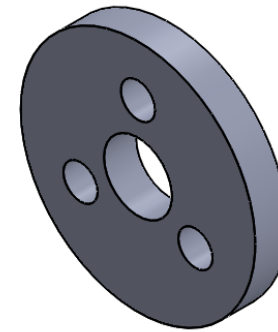
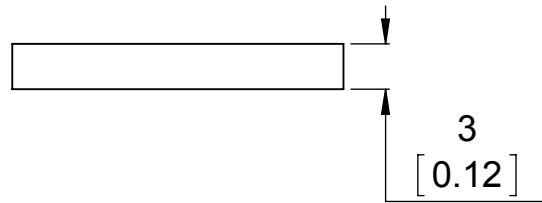
Drawing date:
01 Jul 2014

Part dev code:
dwa01a

Units: mm
[in]

Material:
aluminum


 © 2014 Pololu Corporation



<http://www.pololu.com/product/2674>

Name: Pololu Aluminum Scooter Wheel Adapter for 6mm Shaft

Item number:
2674

Drawing date:
01 Jul 2014

Part dev code:
dwa01b

Units: mm
[in]

Material:
aluminum


© 2014 Pololu Corporation

1. To get the specified scale, select 100% in print settings.

Scale: 2:1