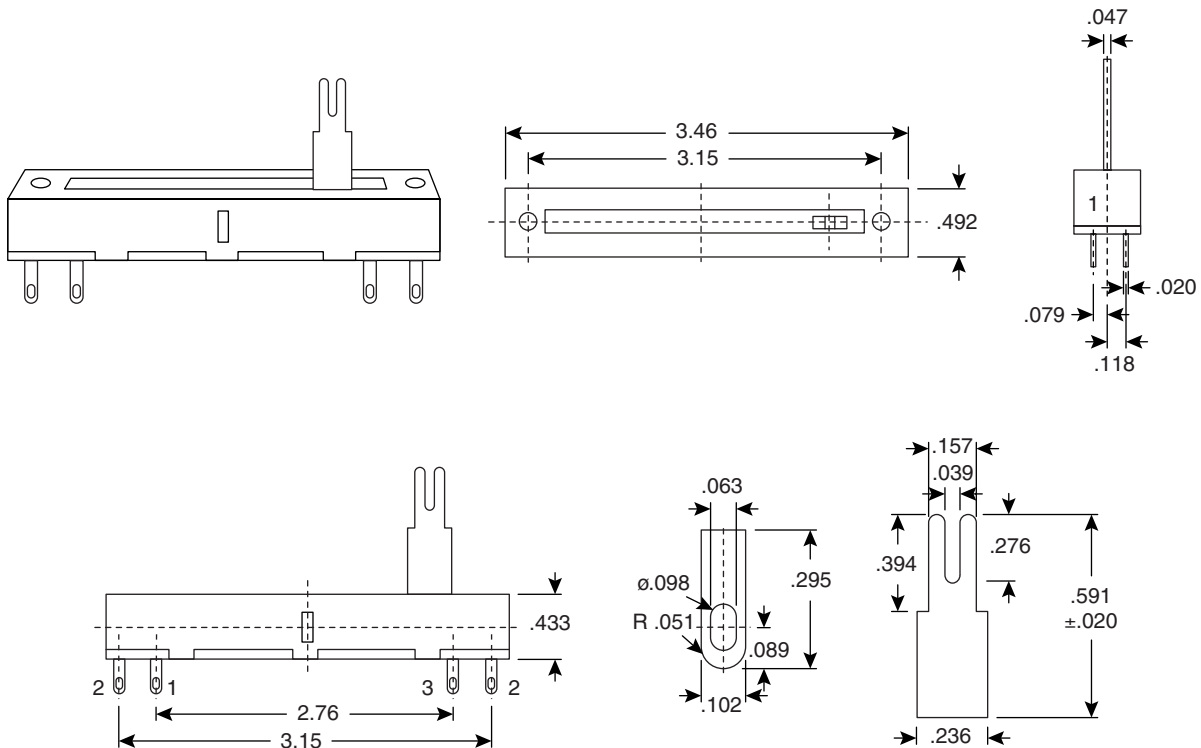




## Potentiometers

### 312-9301F-Value



### Dimensions (In.)

#### Specifications:

- Type: slide
- Taper: linear
- Terminals: solder lugs
- Resistance tolerance:  $\pm 20\%$
- Rated wattage: .5W max.
- Rated voltage: 500V max.
- Insulation resistance: 100M $\Omega$  min. @ 500VDC
- Dielectric strength: 500VAC for 1 minute
- Operating force: 30~300 gf.cm
- Lever stop strength: 5kg/60 seconds
- Slide travel: 2.36"(60 mm)
- Sliding life: 15,000 cycles
- Values ( $\Omega$ ): 1K, 2K, 5K, 10K, 50K, 100K
- RoHS Compliant