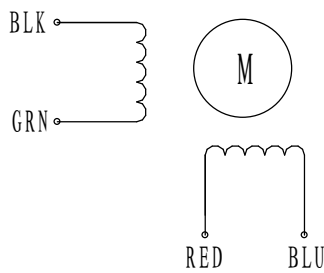


# HIGH TORQUE HYBRID STEPPING MOTOR SPECIFICATIONS

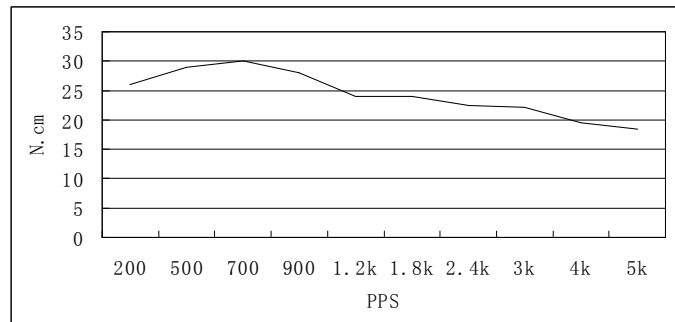
General specifications		Electrical specifications	
Step Angle (°)	1.8	Rated Voltage (V)	2.8
Temperature Rise (°C)	80 Max (rated current, 2 phase on)	Rated Current (A)	1.68
Ambient Temperature (°C)	-20 ~ +50	Resistance Per Phase ( $\pm 10\%$ $\Omega$ )	1.65
Number of Phase	2	Inductance Per Phase ( $\pm 20\%$ mH)	3.2
Insulation Resistance (M $\Omega$ )	100 Min (500VDC)	Holding torque (N.cm)	36
Insulation Class	Class B	Detent Torque (N.cm)	150
Max. radial force (N)	28 (20mm from the flange)	Rotor Torque (N.cm)	54
Max. axial force (N)	10	Weight (kg)	0.28

## ● Wiring Diagram :



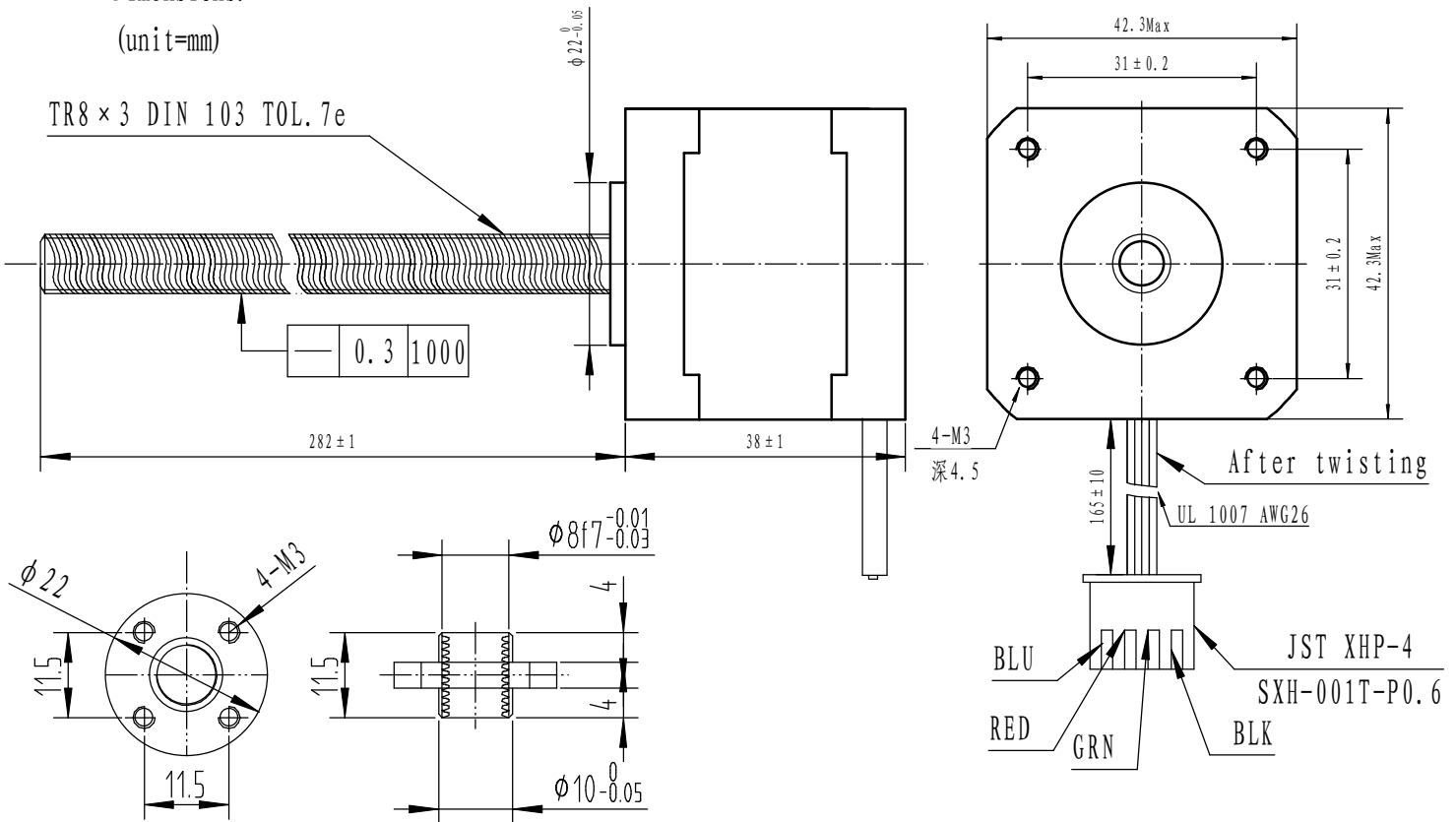
## ● PULL out torque curve :

VOLTAGE: 24VDC CONSTANT CURRENT : 1.68A HALF STEP



Dimensions:

(unit=mm)



					SY42STH38-1684A	TECHNICAL CONDITIONS
REV	REVISIONS	DESCRIPTION	BY	DATE	CHANGZHOU SONGYANG MACHINERY & ELECTRONICS NEW TECHNIC INSTITUTE	063038000
DRAW	2013/04/23					
CHECK						
APPROVE						