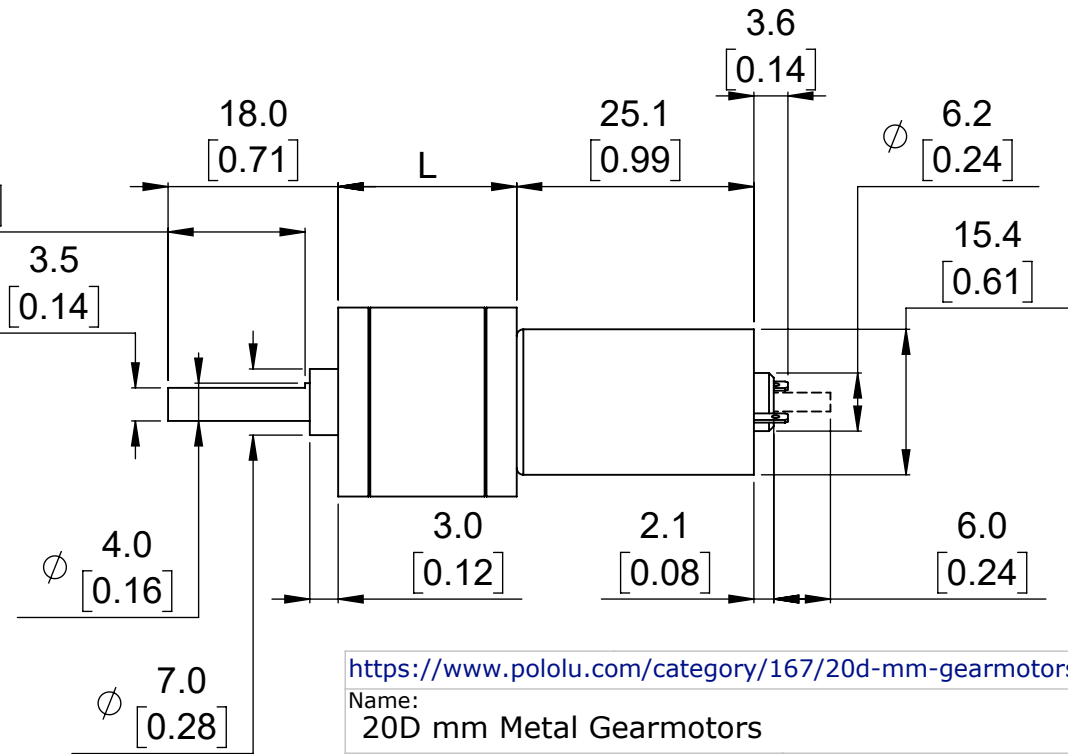
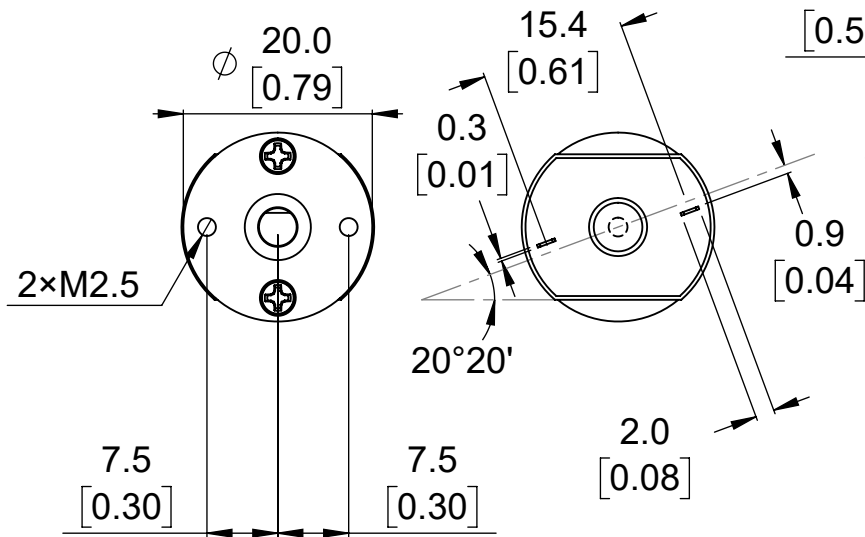
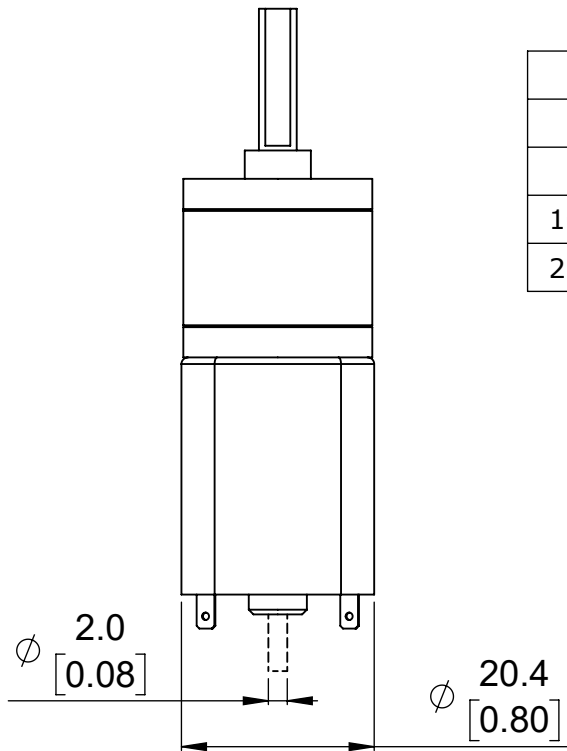
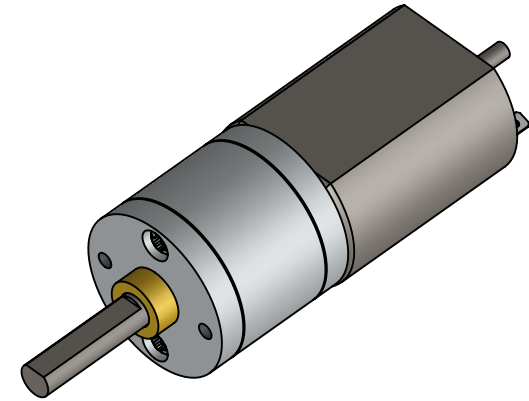


Gear ratio	L
25:1, 31:1	16.0 mm [0.63 in]
63:1, 78:1	17.5 mm [0.69 in]
100:1, 125:1, 156:1, 195:1	19.0 mm [0.75 in]
250:1, 313:1, 391:1, 488:1	20.5 mm [0.81 in]



1. To get the specified scale, select 100% in print settings.
2. This diagram only applies to the listed gear ratios.

Scale: 5:4

<https://www.pololu.com/category/167/20d-mm-gearmotors>

Name:  
20D mm Metal Gearmotors

Drawing date:  
30 December 2016

Units: mm  
[in]

Material:  
mix

