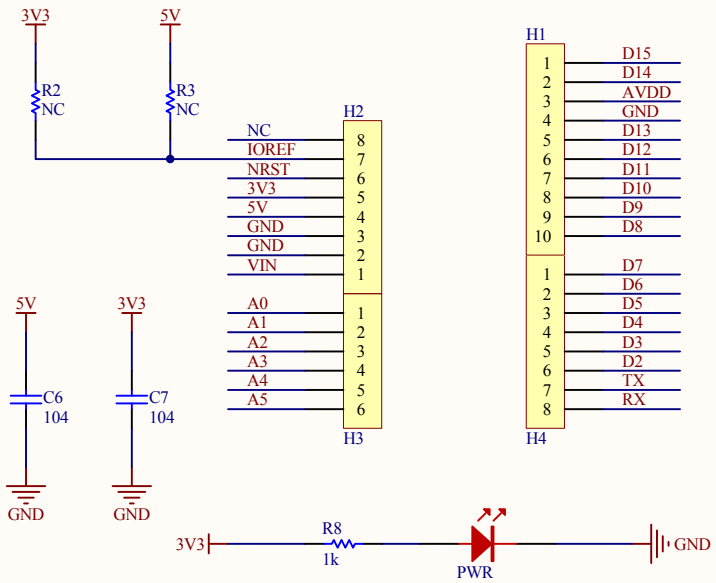
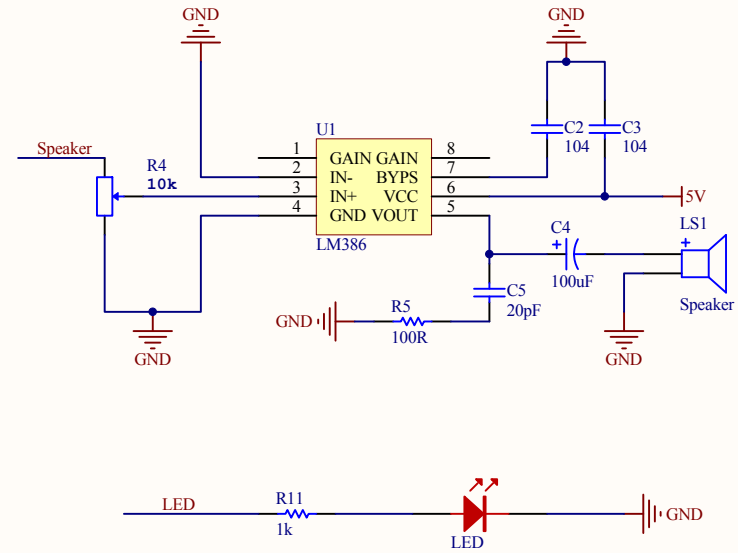


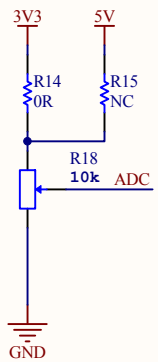
### Extension Interface



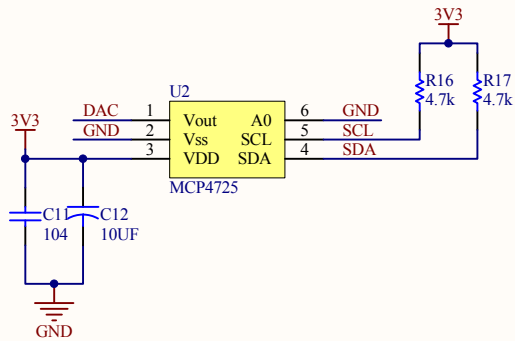
### Speak/LED Circuit



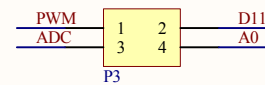
### ADC Circuit



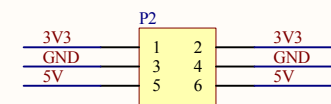
### DAC Circuit



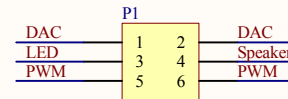
### DA/PWM JMP



### EXTENS POWER



### Speak/LED JMP



### IIC JMP

