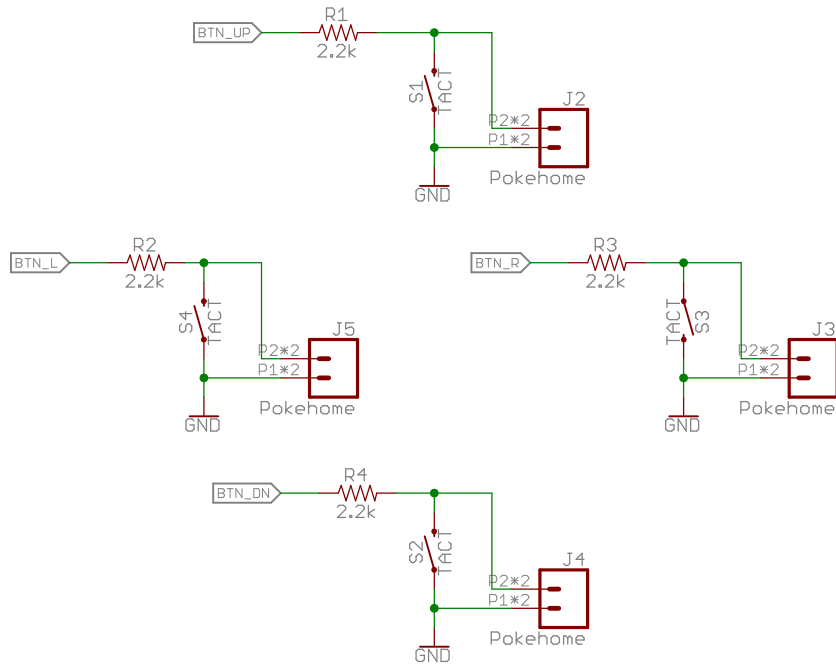
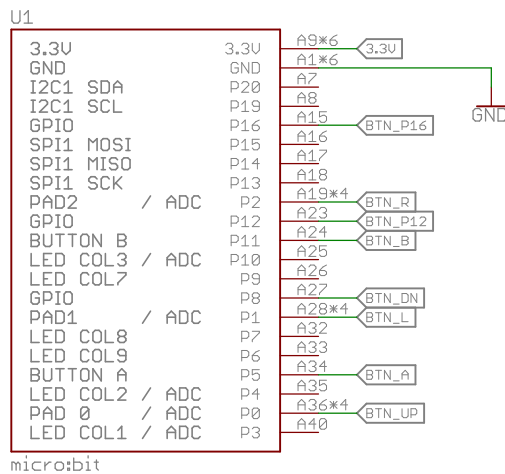


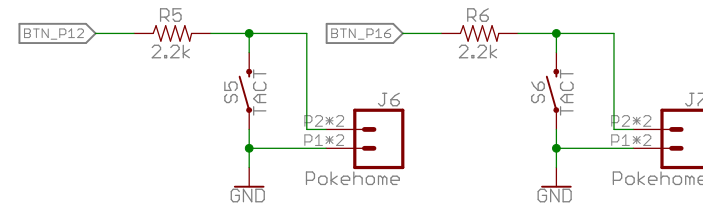
Directional Controls



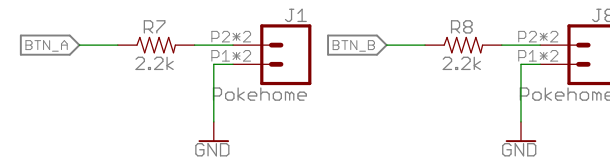
micro:bit Connector



"Fire" Buttons



Additional pokehome connectors for button A & B signals



2.2K series resistors on signal lines to prevent excess current draw if micro:bit pins are configured as outputs, written to a logic high state, and the buttons are pressed.


This also means that logic "low" will be in the neighborhood of 0.5 V. The nordic IC claims logic low threshold of $0.3 \times V_{cc}$, approx 1V for 3.3V supply.

All buttons are wired as active low, consistent with micro:bit buttons A and B.

If using hardware directly, user will need to enable pull up resistors on corresponding hardware pins.

gamer:bit
gamer:bit



Released under the Creative Commons Attribution Share-Alike 4.0 License https://creativecommons.org/licenses/by-sa/4.0/		Special Instructions 
TITLE: Micro_Bit_Gamer_Bit		
Design by: Byron Jacquot		REV: v10
Date: 5/25/2017 4:39 PM	Sheet: 1/1	