

深圳市昱申科技有限公司  
CHINA YOUNG SUN LED TECHNOLOGY CO., LTD.

TEL: (86) 755-28079401 28079402 28079403 28079404 28079405  
FAX: (86) 755-28079407 E-mail: info@100LED.com Web: www.100LED.com

Model No.: YSL-R1042B5C-D13

Applications:

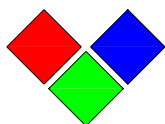
- Decorations
- Advertising Sign
- Indicators
- Illuminations
- Traffic Lights
- Flashlights

Absolute Maximum Ratings: (Ta=25°C) .

ITEMS	Symbol	Absolute Maximum Rating	Unit
Forward Current	I <sub>F</sub>	80	mA
Peak Forward Current	I <sub>FP</sub>	120	mA
Suggestion Using Current	I <sub>SU</sub>	65-75	mA
Reverse Current (V <sub>R</sub> =5V)	I <sub>R</sub>	10	uA
Power Dissipation	P <sub>D</sub>	180	mW
Operation Temperature	T <sub>OPR</sub>	-40 ~ 85	°C
Storage Temperature	T <sub>STG</sub>	-40 ~ 100	°C
Lead Soldering Temperature	T <sub>SOL</sub>	Max. 260°C for 3 Sec. Max. (3mm from the base of the epoxy bulb)	

Absolute Maximum Ratings: (Ta=25°C)

ITEMS	Symbol	Test condition	Min.	Typ.	Max.	Unit
Forward Voltage	V <sub>F</sub>	I <sub>F</sub> =80mA	3.0	---	3.4	V
Wavelength (nm) or TC(k)	Δλ	I <sub>F</sub> =80mA	465	---	470	NM
*Luminous intensity	I <sub>V</sub>	I <sub>F</sub> =80mA	8000	---	10000	MCD
50% Viewing Angle	2θ 1/2	I <sub>F</sub> =80mA	---	30	---	DEGREE



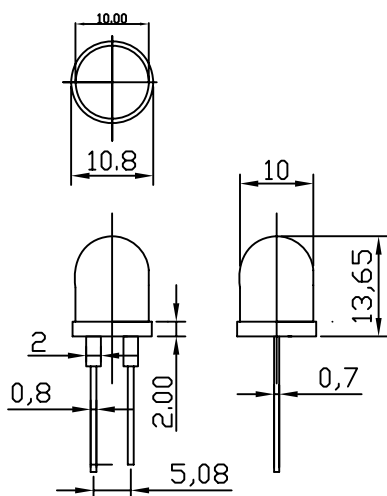
# 深圳市昱申科技有限公司 CHINA YOUNG SUN LED TECHNOLOGY CO., LTD.

TEL: (86) 755-28079401 28079402 28079403 28079404 28079405  
FAX: (86) 755-28079407 E-mail: info@100LED.com Web: www.100LED.com

## Mechanical Dimensions:

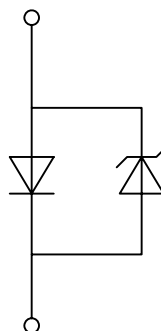
- All dimension are in mm, tolerance is  $\pm 0.2\text{mm}$  unless otherwise noted
- An epoxy meniscus may extend about 1.5mm down the leads.
- Burr around bottom of epoxy may be 0.5mm Maximum

Unit: mm

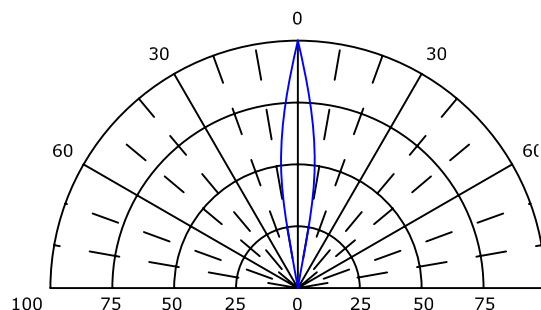


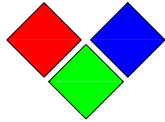
Viewing Angle Drawing

Anode



Cathode





# 深圳市昱申科技有限公司

## CHINA YOUNG SUN LED TECHNOLOGY CO., LTD.

TEL: (86) 755-28079401 28079402 28079403 28079404 28079405

FAX: (86) 755-28079407 E-mail: info@100LED.com Web: www.100LED.com

### Code System:

YSL-R1042B5C-D13



5. Code for Lead Frame of LED

6. Code for Lead Frame Code of LED

7. Code for Wavelength Color

8. Code for Lens color

C: Water Clear

W: White Diffused

D: Color Diffused

T: Color Transparent

9. Code for Viewing Angle

A: 1-10

B: 10-20

C: 20-30

D: 30-40

E: 40-60

F: 60-90

G: 90-120

H: >120

10. Luminous Intensity Grade:

1: 1-50mcd

4: 200-300mcd

7: 800-1000mcd

10: 2000-3000mcd

14: 10000-13000mcd

2: 50-100mcd

5: 300-500mcd

8: 1000-1500mcd

11: 3000-5000mcd

15: 13000-15000mcd

3: 100-200mcd

6: 500-800mcd

9: 1500-2000mcd

12: 5000-8000mcd

16: 15000-20000mcd

13: 8000-10000mcd

17: 20000~mcd

1. Company Code, short for Young Sun

2. Code for LED series.

3. Code for LED Type.

R: Round B: Bullet C: Columnar O: Oval  
H: Helmet Q: Square V: Concave P: Pagoda  
S: Strawhat D: Special

4. Code for LED Lens Type.

### Notes:

In order to make the life longer, please set the input current below 80mA.

Electrical & Optical Characteristics consistency of same items all shipments.

Please use LEDs based on our datasheet.

LED is sensitive to statics, be sure your equipments are anti-static when you use our LEDs.

Pay more attention to your heat dissipation system when you use it, the better heat dissipation, the longer LED lifespan.