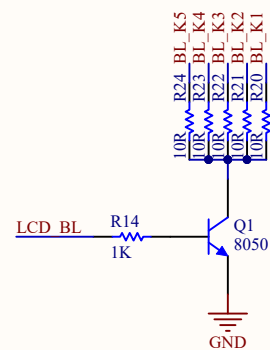
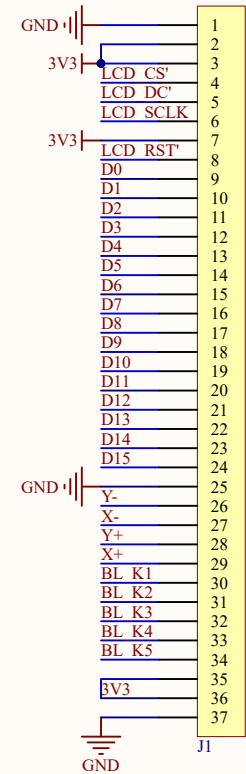


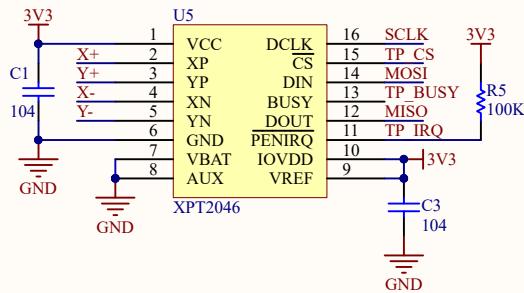
LCD SPI ->16BIT



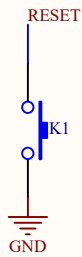
LCD BACKLIGHT



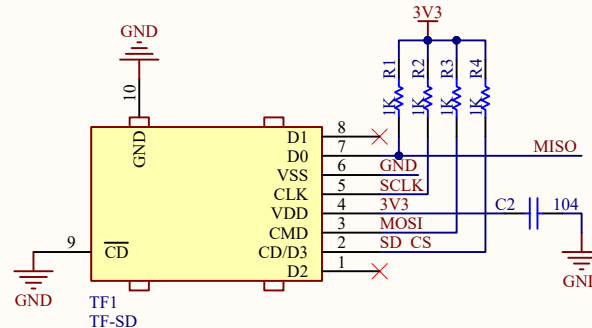
LCD



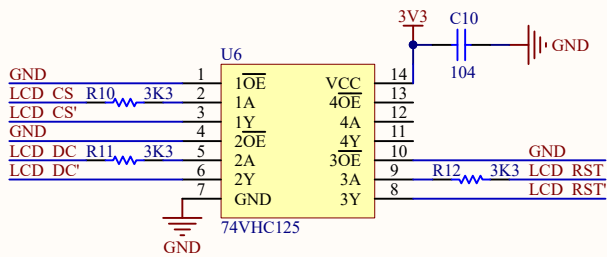
Touch Screen



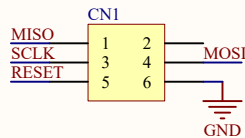
Reset



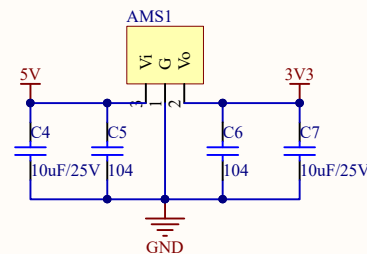
SD Card



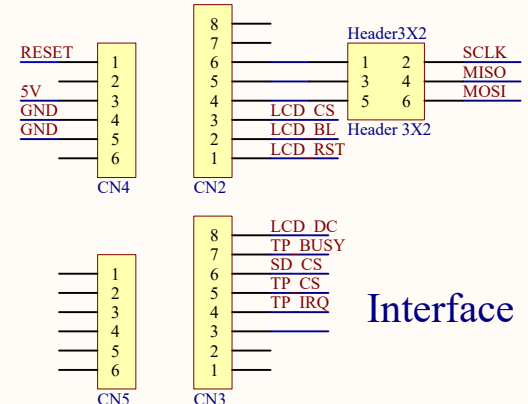
Level conversion



SPI Interface



Power



Interface