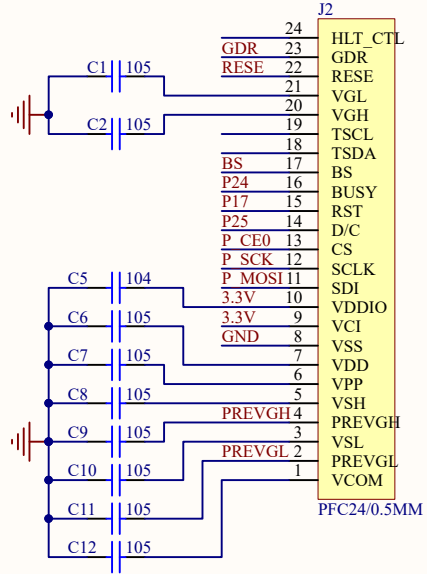
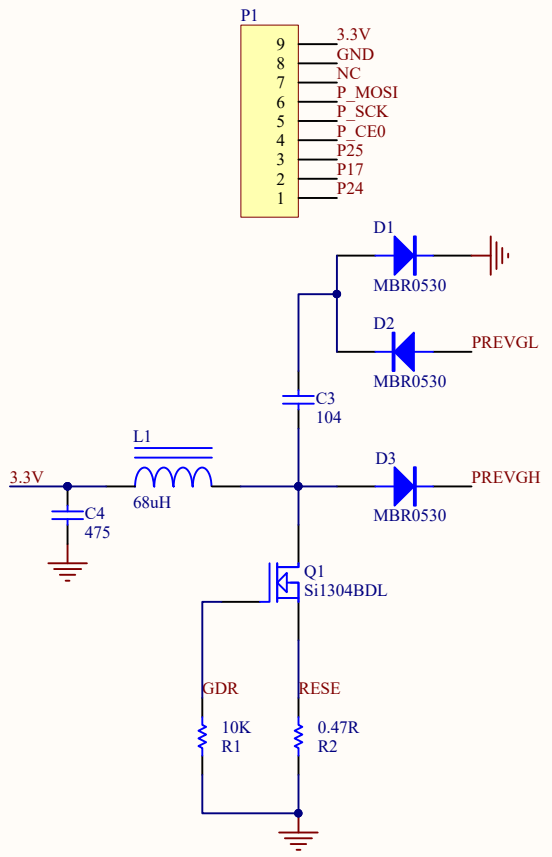




	VCC	GND
BS	3-line SPI	4-line SPI



BCM	wPi	P2	wPi	BCM
		3.3V		
2	8	P SDA		
3	9	P SCL		
4	7	P4		
		GND		
17	0	P17		
27	2	P27		
22	3	P22		
		3.3V		
10	12	P MOSI		
9	13	P MISO		
11	14	P SCK		
		GND		
		ID SD		
5	21	P5		
6	22	P6		
13	23	P13		
19	24	P19		
26	25	P26		
		GND		

RPI GPIO