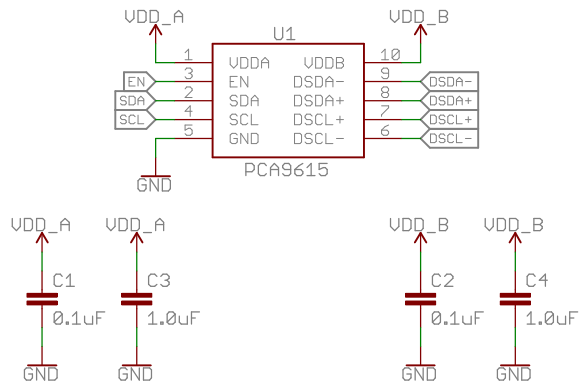
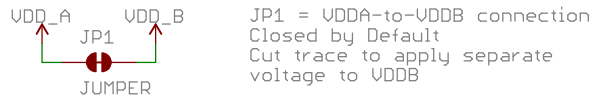


PCA9615 IC



VDD_A = I2C-bus side power supply (2.3 V to 5.5 V)
 VDD_B = differential side power supply (3.0 V to 5.5 V)

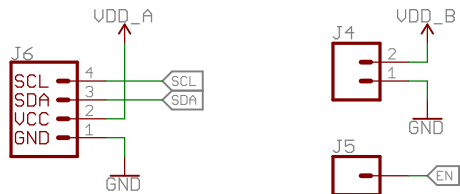
VDDA-to-VDD_B Jumper



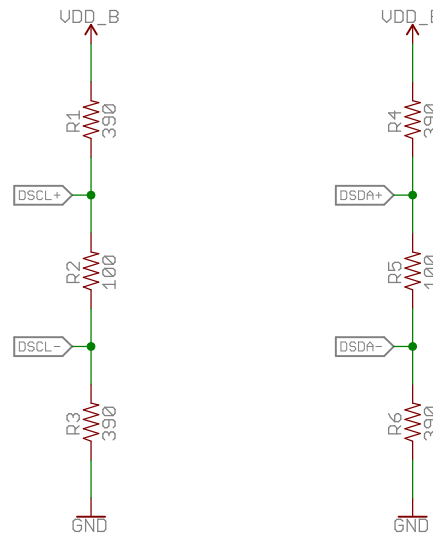
Qwiic Connectors



Headers

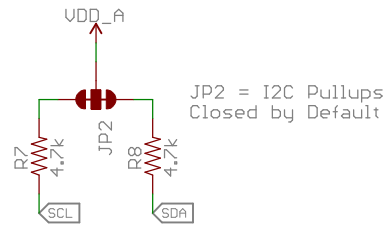


Differential I2C Termination Resistors

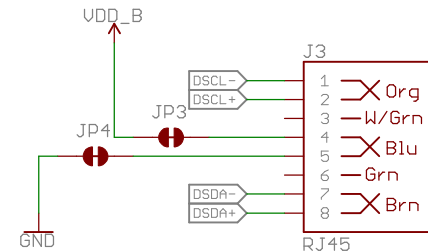


Populate termination resistors ONLY on the first and last peripheral on a I2C Bus.

I2C Pullups



RJ-45 Connector



Cut traces on JP3 & JP4 to disconnect VDD_B and GND from cable.



Released under the Creative Commons Attribution Share-Alike 4.0 License
<https://creativecommons.org/licenses/by-sa/4.0/>

TITLE: SparkFun_Differential_I2C_Breakout_PCA9615_Qwiic

Design by: Joel Bartlett

REV: v10

Date: 2/1/2018 10:16 AM

Sheet: 1/1