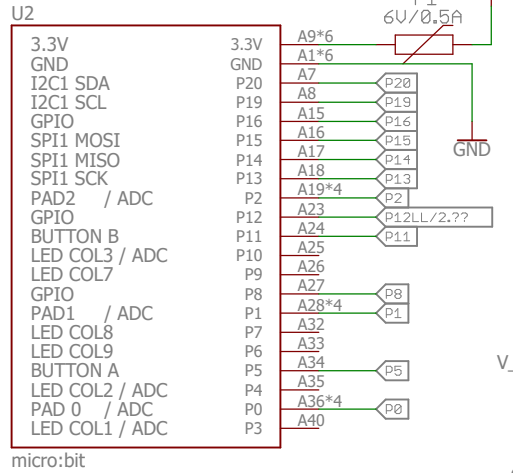
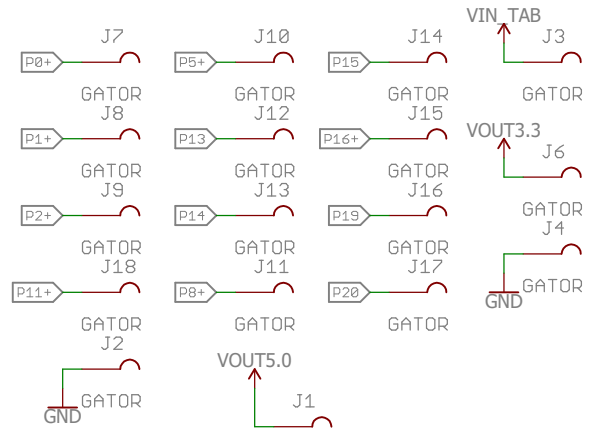


Connector



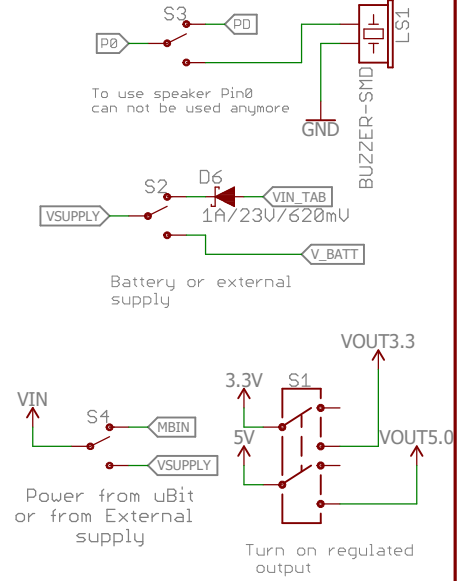
PIN	FUNCTION
20	SDA
19	SCL
16	GPIO
15	MOSI
14	MISO
13	SCK
12	GPIO
11	GPIO
10	GPIO
9	GPIO
8	GPIO
7	LED COL 8
6	LED COL 9
5	GPIO
4	LED COL 2
3	LED COL 1
2	GPIO/AIN
1	GPIO/AIN
0	GPIO/AIN

Alligator Clip Terminals

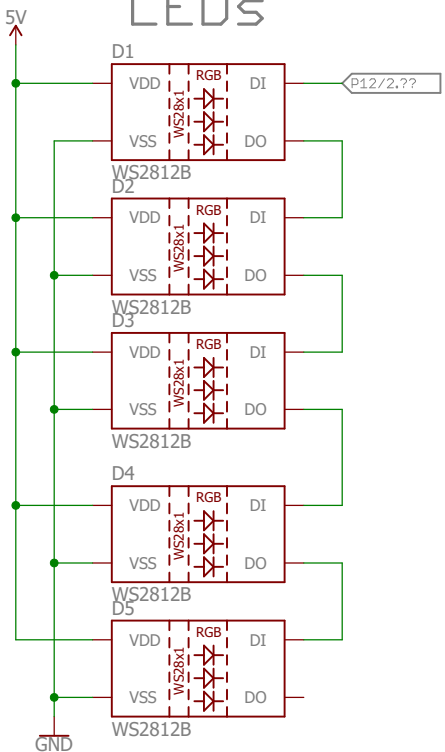


Vin at Gator Tabs:
2.7V - 9V

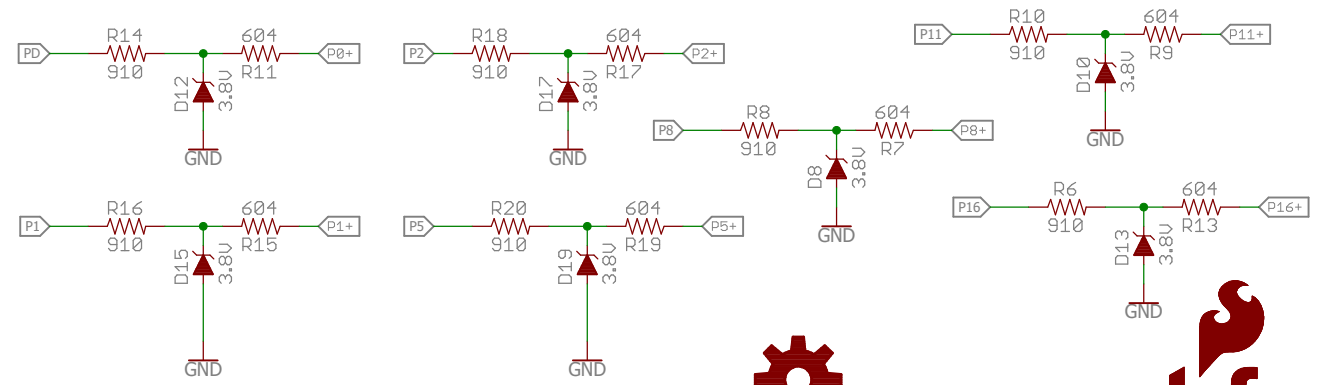
Switches



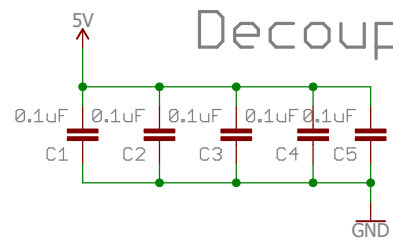
LEDs



I/O Protection



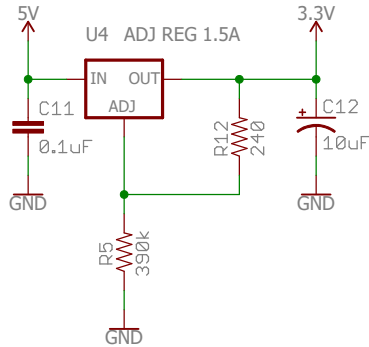
Decoupling



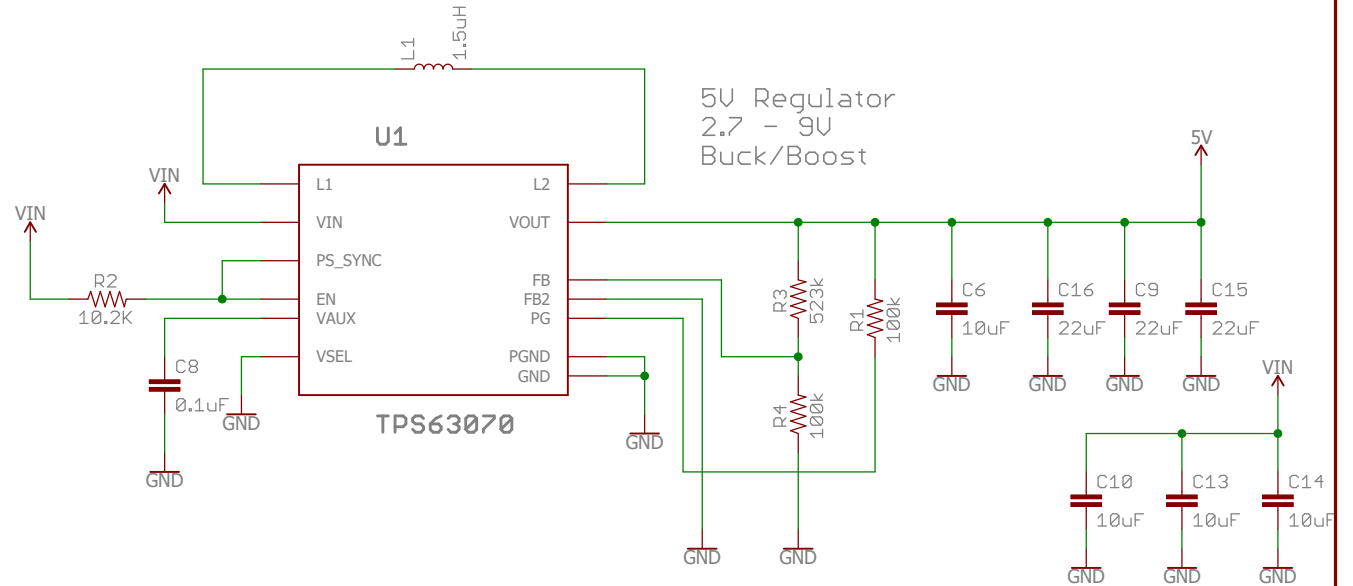
Released under the Creative Commons Attribution Share-Alike 4.0 License https://creativecommons.org/licenses/by-sa/4.0/		⊗ ⊗ ⊗ ⊗
TITLE: SparkFun_gator-bit		
Design by: Mary West		REV: v10
Date: 5/7/2018 11:04 AM	Sheet: 1/2	

Voltage Regulation

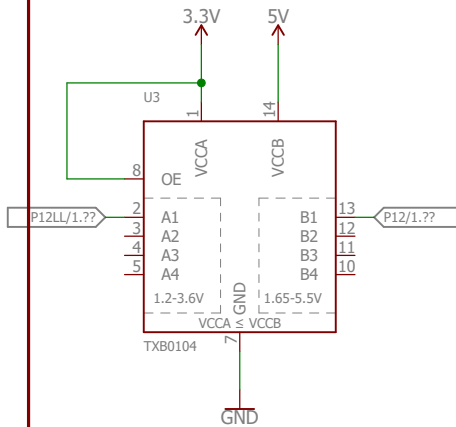
3.3V Regulator
5V input from TPS REG
Powers LEDs, 3.3V OUT



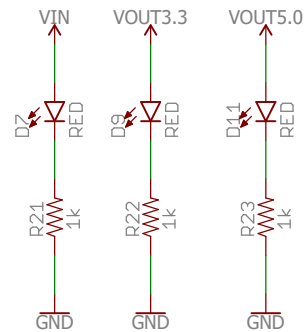
5V Regulator
2.7 - 9V
Buck/Boost



Logic Level conversion for addressable LEDs



Status LEDs



Released under the Creative Commons
Attribution Share-Alike 4.0 License
<https://creativecommons.org/licenses/by-sa/4.0/>

TITLE: SparkFun_gator-bit

Design by: Mary West

REV:
V10

Date: 5/7/2018 11:04 AM

Sheet: 2/2