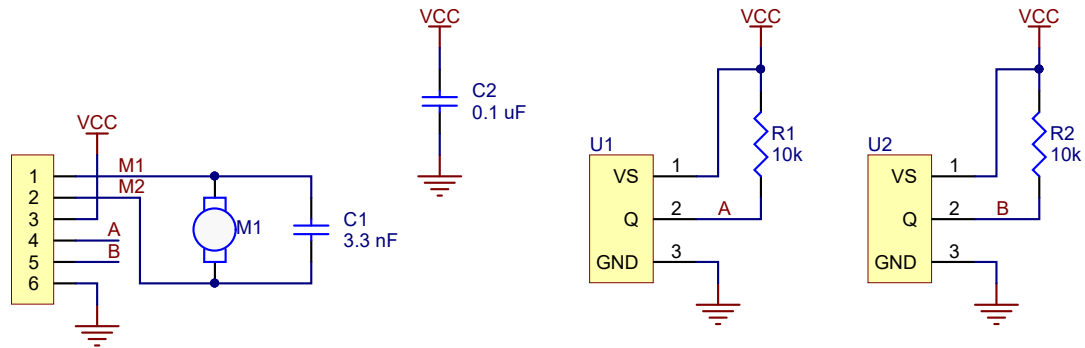


Magnetic Encoder Kit for Mini Plastic Gearmotors

©2016 Pololu Corporation
www.pololu.com



Note: U1 and U2 are Hall effect sensor ICs in SOT-23 packages, e.g. TLE4946-2K.